

Product Information

Product Brand: Roto NX, Roto NT

Roto NX espagnolette overview for adjusting the screwdriving data. (v01)

NT2NX



Related Products

Roto NX, Roto NT
Replacement Product

Technical Details

With the product launch of the new Roto NX espagnolettes, the screw positions on some espagnolette variants have been combined and adapted. Therefore, there may be differences between espagnolettes from the NT range and their successor in the Roto NX in a few positions.

When using automated hardware screwdrivers and other production systems that rely on this screwing data, this change in the data must be taken into account and adjusted.

The affected articles can be found in the article overview and the corresponding screwdriving data is highlighted in the attached list. In addition a graphical overview is attached.

Documentation

Overview drawing: 794035-K-15_dk-getriebe_nx-nt.pdf

espagnolette list: 20200929_screw data_SFG_HDM-gear_overview_NX-NT.xlsx

Data drawings are available for all espagnolettes from the Roto NX range mentioned above. If data drawings for the predecessor espagnolettes from the NT range are missing, please ask for them.

The espagnolettes are also included in the RotoCon and we recommend using the screwdriving data and information stored there.

Product Overview

Material No.	EAN no.	Description	PU	Price/Pcs.	Material Si ze	D-MG	Spout Material
--------------	---------	-------------	----	------------	----------------	------	----------------

794035	NX GDKK 1690 1000 2E 15_SIL
794036	NX GDKK 1890 1000 2E 15_SIL
794037	NX GDKK 2090 1000 2E 15_SIL
794043	NX GDKK 2090 1000 4V 15_SIL
794331	NX GDKK 1690 1000 2E 08_SIL
794332	NX GDKK 1890 1000 2E 08_SIL
794636	NX GDKS 1690 1000 2E 15_S_SIL
794640	NX GDKS 1690 1000 2V 15_S_SIL
795277	NX GDKS 0600 0170 D15 AUS_SIL
795279	NX GDKS 1890 1000 2S 15_SIL
795281	NX GDKS 2090 1000 3S 15_SIL
795283	NX GDKS 2290 1000 3S 15_SIL
795323	NX GDKK 0600 0170 15 EU MVS_SIL
795324	NX GDKK 0600 0170 15 EU_SIL
795325	NX GDKK 0600 0170 08 EU_SIL
795327	NX GDKK 0600 0170 15_SIL
795389	NX GDKV 1780 2E 15_S_SIL
795390	NX GDKV 1780 2V 15_S_SIL
795392	NX GDKV 2180 4E 15_S_SIL
795393	NX GDKV 2180 4V 15_S_SIL
795413	NX GKAV 1800 4E 15_SIL
795414	NX GKAV 1800 4P 15_SIL
795425	NX GKAV 1800 4E 08_SIL
795433	NX GKAV 1800 4P 08_ZIN
840219	NX GDKV 1780 2P 15_BLK
840220	NX GDKV 2180 4P 15_BLK

Product Overview Outlet

Material No.	Description	Phase-Out Date	Target CPMS	Note
259762	DK-GTR.M.1780 2E D15 .N110A05206			
259763	DK-GTR.M.2180 4E D15 .N110A06206			
259847	DK-GTR.K.1690/1000 2E D15 .N150A08216			
259849	DK-GTR.K.1890/1000 2E D15 .N150A09206			
259850	DK-GTR.K.2090/1000 4V D15 .N150A10106			
259851	DK-GTR.K.2090/1000 2E D15 .N150A10206			
259856	DK-GTR.K.490/170 D8 M.EU.P-ZAPFEN NT			

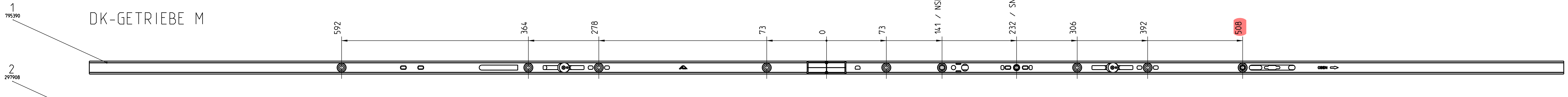


Created on 01.10.2020
Modified on 07.10.2020

No. 14 1268

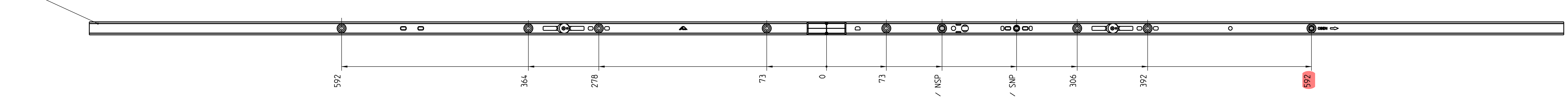
259874	DK-GTR.K.1690/1000 2E D8 .N151A08216
259876	DK-GTR.K.1890/1000 2E D8 .N151A09206
260134	K-GTR.M.1800 4E D15 .N210A06206
260141	K-GTR.M 1800 4E D 8 .N211A06206
288098	K-GTR.M. 1800 4P D15
335975	DK-GTR.M.2180 4E D15 SPALTL. 135 NT
355746	DK-GTR.M. 1780 2V D15 NT
355747	DK-GTR.M. 2180 4V D15 NT
457914	DK-GTR.M.1780 2E D15 STANZ..SPL.NT
571759	K-GTR.M 1800 4P D 8
626577	NT KSR GTR DK 1690 1000 D15 2V
628465	DK-GTR.K.490/170 D15 M.EU.P-ZAPFEN NT
628750	NT KSR GTR DK 490 170 D15 AS
630082	NT KSR GTR DK 1690 1000 D15 2E
637683	NT KSR GTR DK 1690 1000 D15 2E SL
742200	DK GTR 580/170 D15 NT
775740	NT KSR GTR DK 1890 1000 D15 2SST
775741	NT KSR GTR DK 2090 1000 D15 3SST
775742	NT KSR GTR DK 2290 1000 D15 3SST
776839	NT GTR KON DK 490 170 D15 EU 1P MVS
794514	NT GTR MIT DK 1780 D15 2P ABS L _BLK
794515	NT GTR MIT DK 1780 D15 2P ABS R _BLK
794516	NT GTR MIT DK 2180 D15 4P ABS L _BLK
794517	NT GTR MIT DK 2180 D15 4P ABS R _BLK

DK-GETRIEBE M



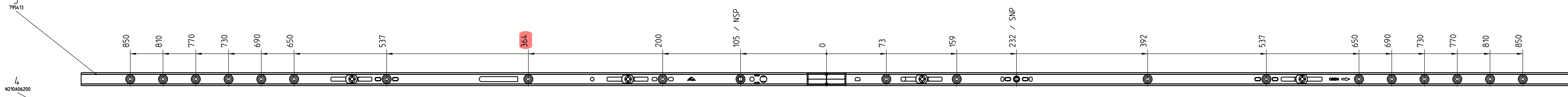
Artikel: 795390
Zeichnung: 795390

K-GETRIEBE M



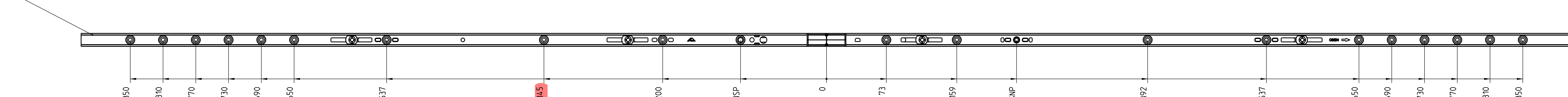
Artikel: 35746
Zeichnung: 297908

K-GETRIEBE M



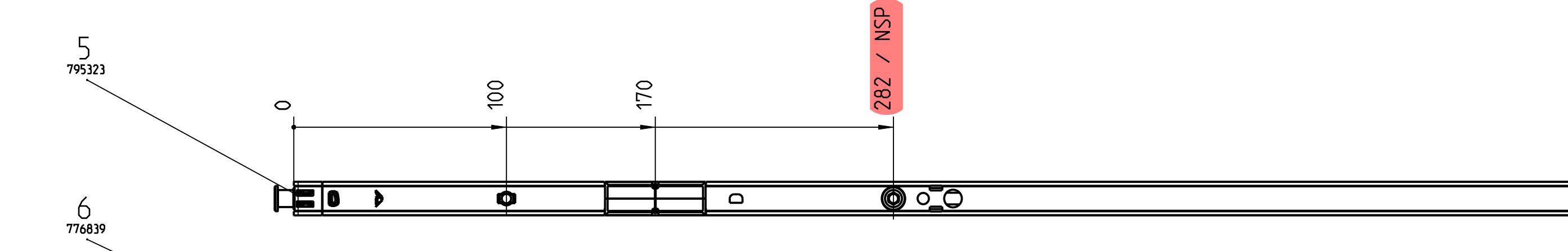
Artikel: 795413
Zeichnung: 795413

K-GETRIEBE M



Artikel: 260134
Zeichnung: N210A06200

DK-GETRIEBE K

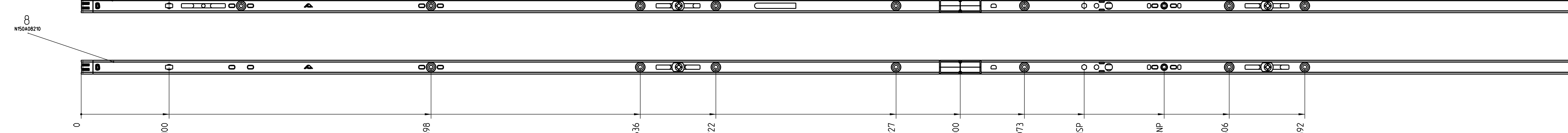


Artikel: 795323
Zeichnung: 795323

DK-GETRIEBE K

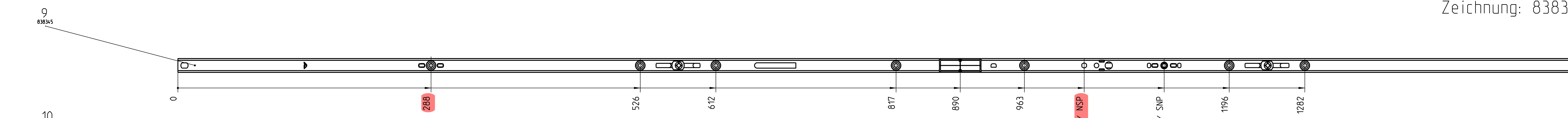


Artikel: 794035
Zeichnung: 794035

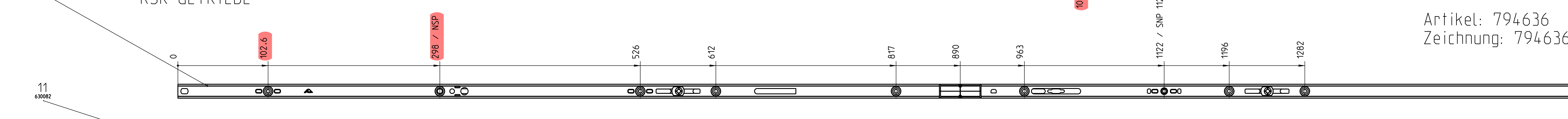


Artikel: 35746
Zeichnung: N150A08210

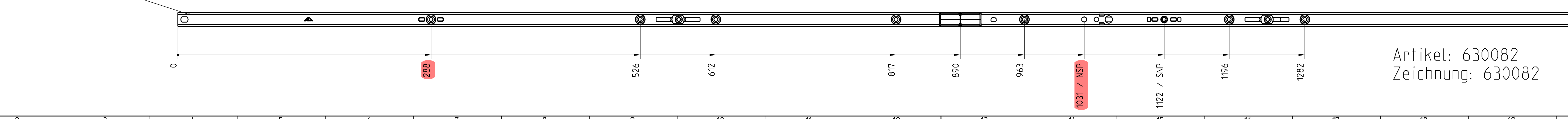
KSR-GETRIEBE



Artikel: 838345
Zeichnung: 838345



Artikel: 794636
Zeichnung: 794636



Artikel: 630082
Zeichnung: 630082

Pos.	Dr.	Stückliste / Bill of material	Part/for	DK-GETRIEBE_NX-NT	Index
11	1	DK-GETR. K. 1600/1000 ZE KSR D1563002		01 / N	A
		1) N150A08210			
10	1	DK-GETR. 1600/1000 ZE KSR D15 794636		01 / N	A
		1) NT-HK / MONZA			
		1) IT&T Essigspindel VAR 1600/1000 ZE D15 V11			
9	1	DK-GETR. 1600/1000 ZE KSR D15 838345		01 / N	A
		1) Roto NT / NX			
		1) IT&T Essigspindel FFH 1600/1000 ZE D15 V11			
8	1	DK-GETR. K. 1600/1000 ZE D15 N150A08210		01 / N	A
		1) NT-HK			
7	1	DK-GETR. K. 1600/1000 ZE D15 794035		01 / N	A
		1) NT-HK / MONZA			
		1) IT&T Essigspindel FFH 1600/1000 ZE D15			
6	1	NT D15 KSR DK 1600/1000 ZE D15 N150A08210		01 / N	A
		1) Roto NT / NX			
5	1	NT D15 K DK 1600/1000 ZE D15 N150A08210		01 / N	A
		1) NT-HK / MONZA			
4	1	DK-GETR. M. 1600/1000 ZE D15 795413		01 / N	A
		1) NT-HK / MONZA			
		1) IT&T Essigspindel VAR 1600/1000 ZE D15			
3	1	DK-GETR. M. 1780 ZV D15 297908		01 / N	A
		1) Roto NT / NX			
		1) IT&T Essigspindel 1780 ZV D15			
2	1	DK-GETR. M. 1780 ZV D15 795390		01 / N	A
		1) Roto NT / NX			
		1) IT&T Essigspindel VAR 1780 ZV D15			

ALL INFORMATION CONTAINED HEREIN IS THE PROPERTY OF ROTO FRANK FTI GMBH. IT IS TO BE KEPT IN CONFIDENCE AND NOT TO BE REPRODUCED OR TRANSMITTED IN ANY FORM OR BY ANY MEANS, ELECTRONIC OR MECHANICAL, INCLUDING PHOTOCOPYING, RECORDING, OR BY ANY INFORMATION STORAGE AND RETRIEVAL SYSTEM. THE INFORMATION CONTAINED HEREIN IS THE PROPERTY OF ROTO FRANK FTI GMBH. IT IS TO BE KEPT IN CONFIDENCE AND NOT TO BE REPRODUCED OR TRANSMITTED IN ANY FORM OR BY ANY MEANS, ELECTRONIC OR MECHANICAL, INCLUDING PHOTOCOPYING, RECORDING, OR BY ANY INFORMATION STORAGE AND RETRIEVAL SYSTEM.