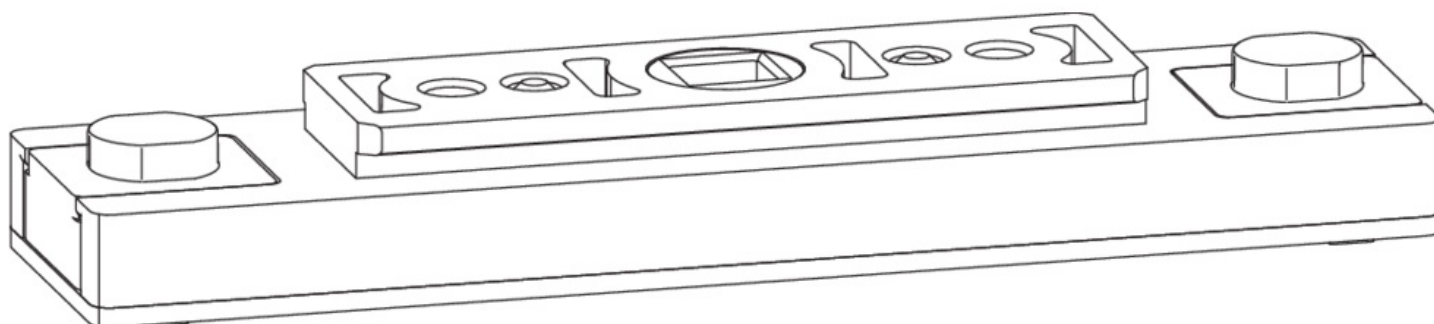


Product Information

Product Brand: Roto AL

flush-encased reverse-action espagnolette ALU Top Hung

858815 replaces 606418 // corrosion class 5



Related Products

Roto AL
Replacement Product

Technical Details

- Discontinuation of the aluminum spreading gear for Top Hung elements with SAP number 606418
- 1:1 replacement item: 858815
- corrosion class 5
- technically identical
- all SAP parts lists are already adapted to the new SAP number 858815
- Documentation will be revised in the next run (for all languages)

Availability / Ordering ability

with immediate effect