

## Product Information

Product Brand: Roto Solid

Roto Solid S - 89/105NN Changing pin module



### Related Products

Roto Solid  
Modification

### Technical Details

- The pin modules 89 NN (-SR) and 105 NN (-SR) were changed. This resulted in an adjustment of the frame hinge.
- The new pin module and the new frame hinge are gradually being integrated into the existing articles. No changeover is necessary for the dealer or fabricator.
- The change has no effect on the assembly of the hinges and their adjustment possibilities.
- Articles that have already been converted can be recognised by the addition "NEW" in the article text in SAP and on the packaging.
- Old and new pin modules cannot be combined with new or old frame hinges.
- For the SKG sets, new article numbers have been set up for the hinges with the new pin module. These also have the addition "NEW".

### Documentation

IMO\_547 and IMO\_548 were adapted.

### Availability / Ordering ability

#### **SKG-Set:**

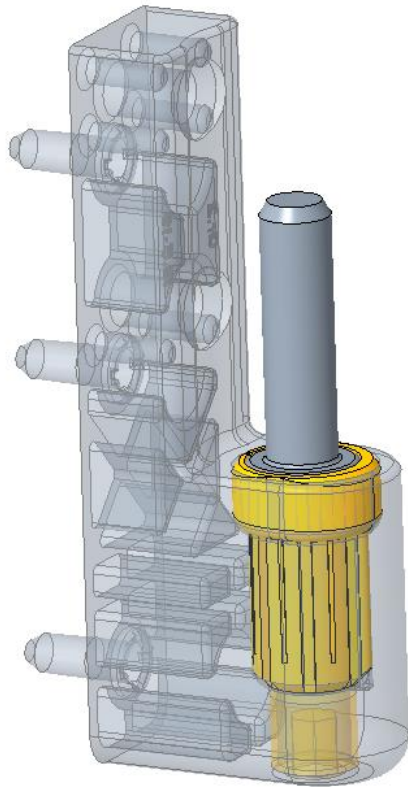
- Available for order immediately
- First delivery approx. 2 weeks after order

### Product Overview

Material No.	EAN no.	Description	PU	Price/Pcs.	Material Si ze	D-MG	Spout Mater ial
2028893	9005904401053	105NN NACHRÜSTSET SKG VE1	1		56		
2028894	9005904401060	105NN NACHRÜSTSET SKG BUVA VE1	1		56		

# Roto Solid B | 89/105 NN

Alt / old



Neu / new

