

Product Information

Product Brand: Roto Solid

Roto Solid B - new drilling jigs

New single and telescope drilling jigs for 218 P, 318 P, 222 P and 322 P



Related Products

Roto Solid
New product

Application range

Single jigs standard:

New drilling jigs from the tool for joint drilling of frame and sash.

Replace the previous milled drill jigs.

- 2027667 BOHRLEHRE 218 P VE1
- 2027668 BOHRLEHRE 222 P VE1
- 2027669 BOHRLEHRE 318 P VE1
- 2027670 BOHRLEHRE 322 P VE1
- 2027671 BOHRLEHRE ADAPTER SOLID B PVC RS VE1

Single jigs for separate drilling:

Accessory for the separate fitting of frame and sash in connection with the single jig Standard.

These accessories are screwed onto the respective single jig Standard.

- **Frame:** Single jig Standard + Bohrlehre Anschlag Rahmen Solid B PVC VE1 (SAP 2027673) (applies to overlap screwed and rebate screwed)
- **Sash overlap screwed:** Single jig Standard + Bohrlehre Anschlag Flügel Solid B OS VE1 (SAP 2027672)
- **Sash rebate screwed:** Bohrlehre Adapter Solid B PVC RS VE1 (SAP 2027671). Only the sash drilling jig from this set is needed here.

For separate drilling of the frame, the overlap width of the sash must be 20mm. If the overlap width differs, drilling must be done together (single jig or telescopic jig).

Telescopic jigs for drilling frame and sash together:

The telescopic jig concept is based on a modular principle. For further explanations see IMO_578.

The following components need to be ordered:

Overlap screwed:

- Single jig Standard (3 pcs.)
- 2030872 TELESKOPLEHRE SOLID B VE1 (1 pc.)
- 2027672 BOHRLEHRE ANSCHLAG FLÜGEL SOLID B OS VE1 (3 pcs.)

Rebate screwed:

- Single jig Standard (3 pcs.)
- 2030872 TELESKOPLEHRE SOLID B VE1 (1 pc.)
- 2031570 BOHRLEHRE VERBINDUNGSPLATTE SOLID B VE1 (3 pcs.)

For the telescopic jigs, only the new standard single jigs from the tool can be used. The old, milled single jigs can still be used for joint drilling without telescopic jigs.

The jigs, regardless of the type of fitting, must be screwed to the profile before drilling so that they do not slip and remain in position.

Documentation

- IMO_578: telescopic jigs
- IMO_567 - IMO_570: single jigs Standard
- CTL_88 next update

Availability / Ordering ability

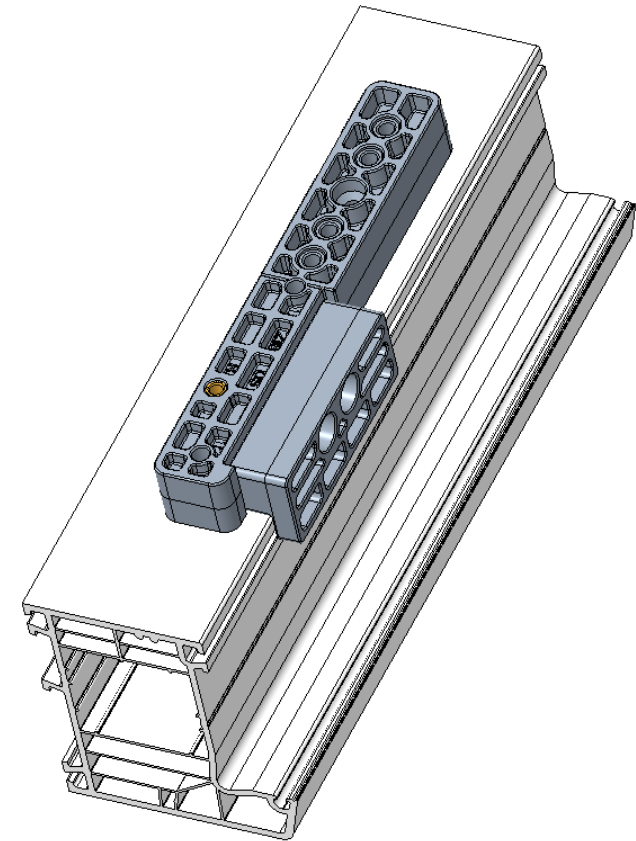
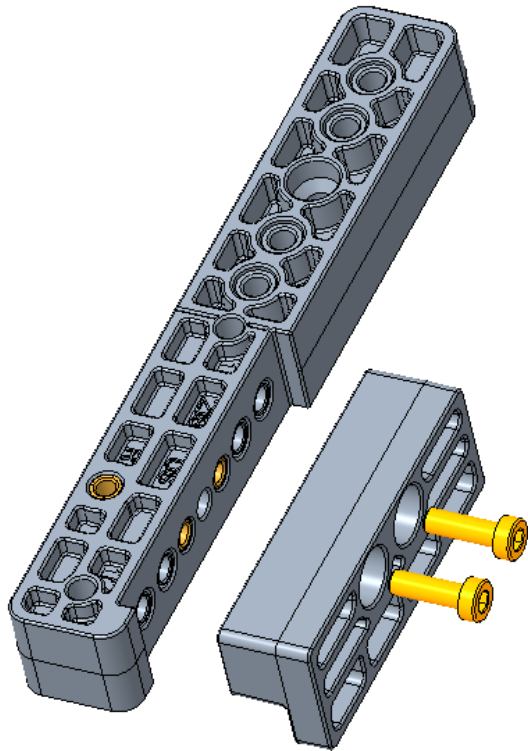
- Available for order immediately
- First delivery: approx. 3-4 weeks after order

Product Overview

Material No.	EAN no.	Description	PU	Price/Pcs.	Material Si ze	D-MG	Spout Material
2027667	9005904399480	BOHRLEHRE 218 P VE1	1		02		2009806
2027668	9005904399497	BOHRLEHRE 222 P VE1	1		02		2009807
2027669	9005904399503	BOHRLEHRE 318 P VE1	1		02		2009808
2027670	9005904399510	BOHRLEHRE 322 P VE1	1		02		2009849
2027671	9005904399824	BOHRLEHRE ADAPTER SOLID B PVC RS VE1	1		02		2009850
2027672	9005904399831	BOHRLEHRE ANSCHLAG FLÜGEL SOLID B OS VE1	1		02		
2027673	9005904399848	BOHRLEHRE ANSCHLAG RAHMEN SOLID B VE1	1		02		
2030872	9005904403262	TELESKOPSTANGE SOLID B VE1	1		02		
2031570	9005904403651	BOHRLEHRE FLÜGELVERB. RS SOLID B VE1	1		02		

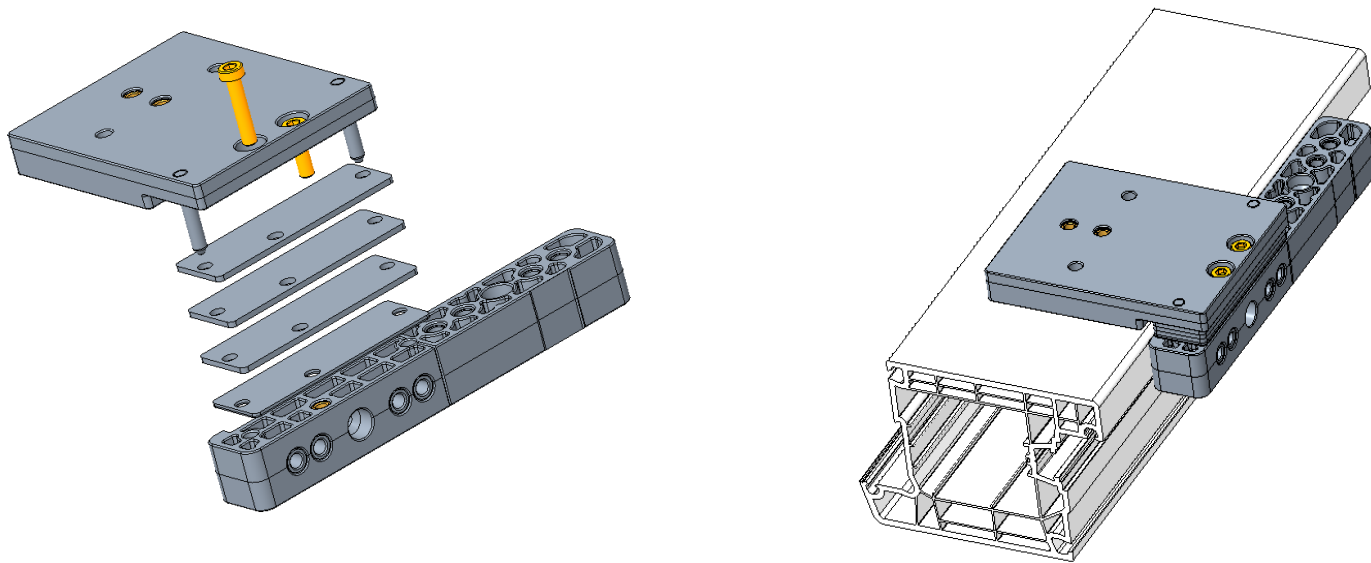
Roto Solid B PVC – drilling jig

Single jigs for separate drilling | frame



Roto Solid B PVC - drilling jig

Single jigs for separate drilling | sash overlap screwed



overlap [mm]	Qty 0.5 mm	Qty 1 mm	Qty 2 mm
17,0	0	0	0
17,5	1	0	0
18,0	0	1	0
18,5	1	1	0
19,0	0	0	1
19,5	1	0	1
20,0	0	1	1
20,5	1	1	1
21,0	0	0	2
21,5	1	0	2
22,0	0	1	2
22,5	1	1	1
23,0	0	0	3
23,5	1	0	3
24,0	0	1	3
24,5	1	1	1
25,0	0	0	4
25,5	1	0	4
26,0	0	1	4
26,5	1	1	4
27,0	0	2	4
27,5	1	2	4

Roto Solid B PVC - drilling jig

Single jigs for separate drilling | sash rebate screwed

