

## Product Information

Product Brand: Roto Patio

### Patio Inowa 200 Centering Unit

Additional component on control unit Inowa 200

#### Related Products

Roto Patio  
New product

#### Application range

Patio Inowa 200 for profile systems made of PVC, timber and aluminium.

#### Technical Details

Depending on the function, the open Inowa 200 sliding sash can wobble.

The reason is the necessary clearance between the roller of the control unit and the guide rail above.

The spring effect of the centering unit ensures that the necessary tolerance between the roller and the guide rail is maintained.

This is screwed onto the outer control units at the top.

Control units with soft functions can also be equipped with this additional component.

The centering unit can be used left/right and is available in two sizes, for control unit 41 and control unit 51.

#### Material No Description

2027477 PIN 200 CENTERING UNIT 41

2027478 PIN 200 CENTERING UNIT 51

See attachment for assembly instructions.

#### Documentation

Next update of the Inowa installation instructions IMO\_282, IMO\_403 and IMO\_493.

#### Availability / Ordering ability

Orderable.

#### Product Overview

Material No.	EAN no.	Description	PU	Price/Pcs.	Material Si ze	D-MG	Spout Mater ial
2027477	4036263534989	PIN 200 CENTERING UNIT 41	1 pc	1,39	92		
2027478	4036263534996	PIN 200 CENTERING UNIT 51	1 pc	1,49	92		

## PIN centering unit assembly

Position in the sash

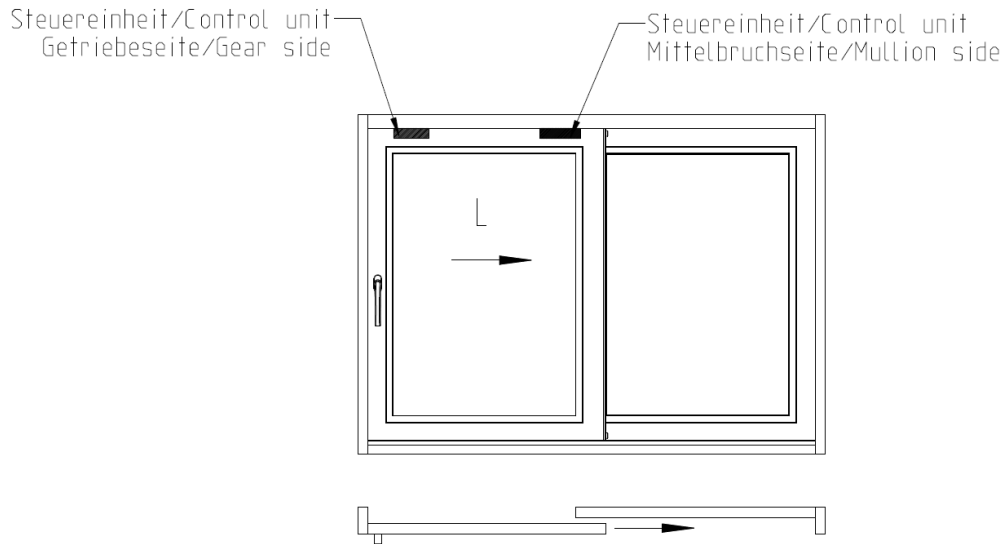


Fig. 1

Installation of centering unit on control unit and control unit with soft function

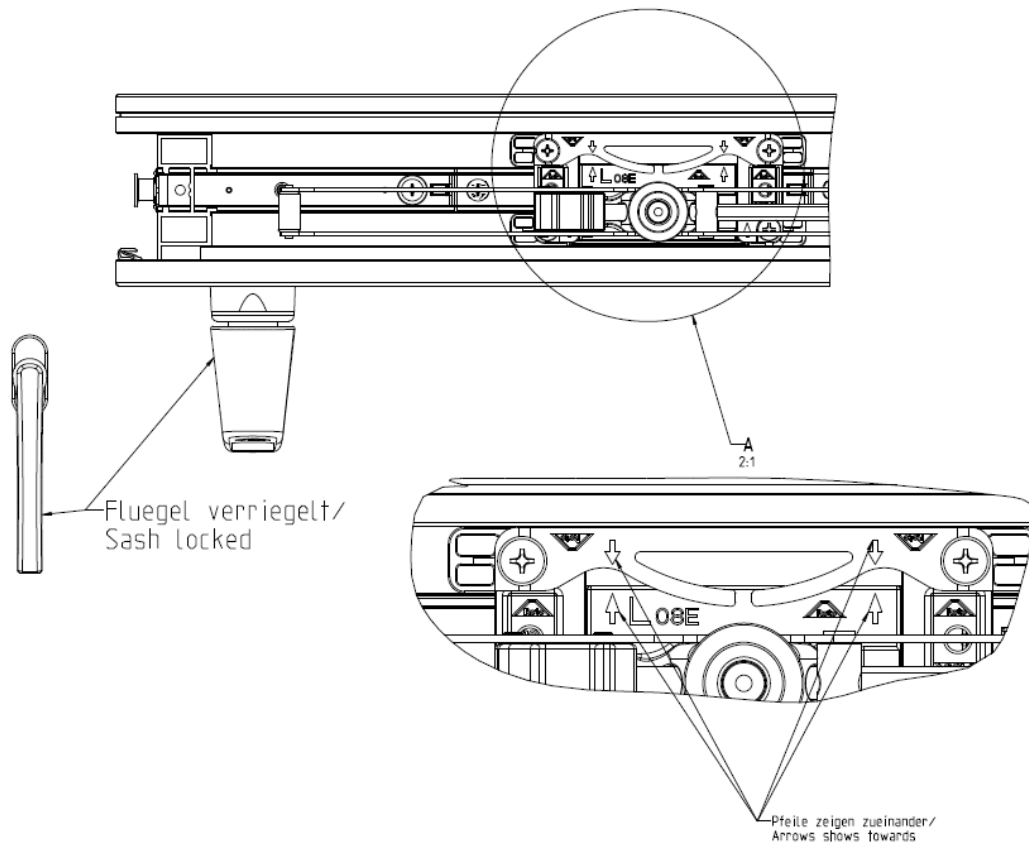


Fig. 2

### **Sequence of assembly of the PIN centering unit**

Installation takes place on the removed sash.

1. Put the handle in the locked position (Fig. 2)
2. **Espagnolette side:** Place the PIN centering unit on the control unit (Fig. 1)
3. Align the PIN centering unit with the arrows on the control unit (Fig. 2)
4. Fasten the PIN centering unit with 2 screws (Fig. 2)  
Note: screw length at least 25mm
5. **Mullion side:** Place the PIN centering unit on the control unit (Fig. 1)
6. Align the PIN centering unit with the arrows on the control unit (Fig. 2)
7. Fasten the PIN centering unit with 2 screws (Fig. 2)  
Note: screw length at least 25mm
8. Move the handle to the unlocked position
9. Hang sash in frame

### **Scope of application**

- Scheme A/A'
- Scheme C/C'
- With and without soft function
- PVC/timber/aluminium