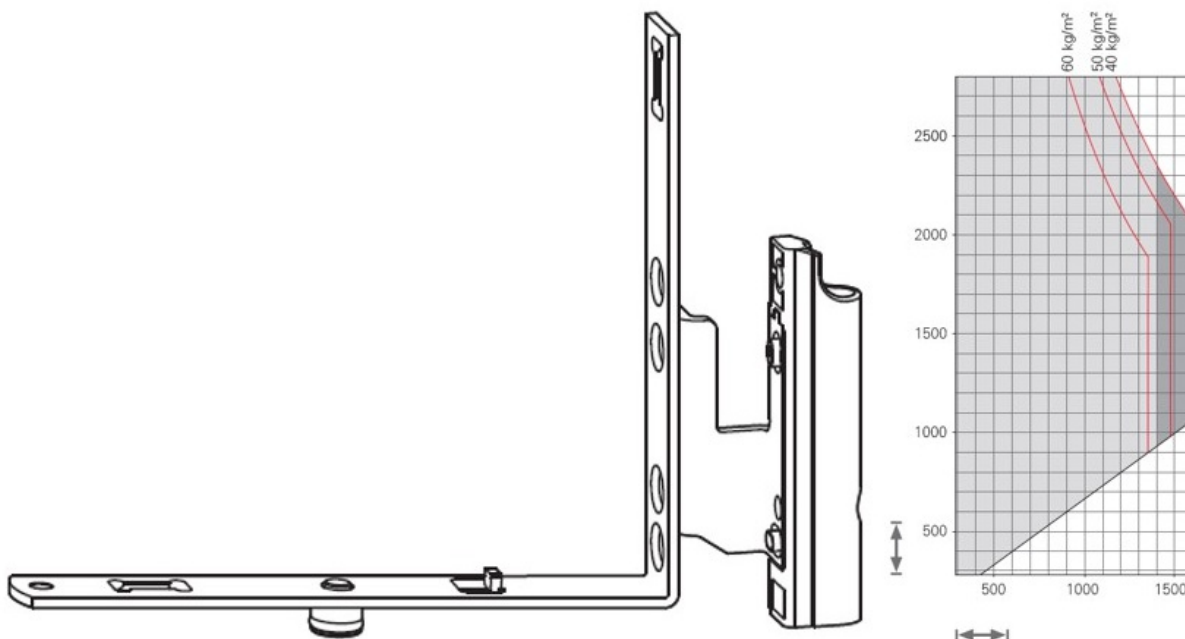


Product Information

Product Brand: Roto NT, Roto NX

Rebate corner hinge NX | Hinge side T for arched / pitched windows for use with rectangular windows



Related Products

Roto NT, Roto NX

Other

Application range

Hinge side T

Wood, wood/aluminium

Rebate systems 12/18-9, 12/18-13 and 12/20-13

- enables all-round coupling of the sash hardware
- can be used with corner drive arch and corner drive standard without pin
- when used with DK-sash stay arch up to max. 80 kg sash weight
- when used with DK-sash stay standard up to max. 150 kg sash weight

Technical Details

The restriction in the catalogue to 80 kg sash weight refers to the application in arched and pitched windows.

In fact, the rebate corner hinge for arched / pitched windows can bear higher sash weights in rectangular windows.

Product Overview

Material No.	EAN no.	Description	PU	Price/Pcs.	Material Size	D-MG	Spout Material
815366	4036263408488	EBFZ_NT E5_NX T_RB DB 12/18-9 R_SIL	50	19,69	20	N01	
815367	4036263408495	EBFZ_NT E5_NX T_RB DB 12/18-13 L_SIL	50	19,4	20	N01	
815368	4036263408501	EBFZ_NT E5_NX T_RB DB 12/18-13 R_SIL	50	19,4	20	N01	
815369	4036263408518	EBFZ_NT E5_NX T_RB DB 12/20-13 L_SIL	50	23,86	20	N01	



Created on 17.08.2023
Modified on 17.08.2023

No. 22 4180

815370	4036263408525	EBFZ_NT E5_NX T_RB DB 12/20-13 R_SIL	50	23,86	20	N01
815415	4036263408976	EBFZ_NT E5_NX T_RB SWL 51,5 12/18-13 L	50	37,98	20	N01
815416	4036263408983	EBFZ_NT E5_NX T_RB SWL51,5 12/18-13 R	50	37,98	20	N01
815425	4036263409072	EBFZ_NT E5_NX T_RB SWL51,5 12/20-13 L	50	38,04	20	N01
815426	4036263409089	EBFZ_NT E5_NX T_RB SWL51,5 12/20-13 R	0	38,04	20	N01
255273	4003720952983	ECUML.RB NT .N400A17006	10	3,17	20	N14
339785	4036263087232	ECKUML O.Z. (2160) NT	10	5,58	20	N01