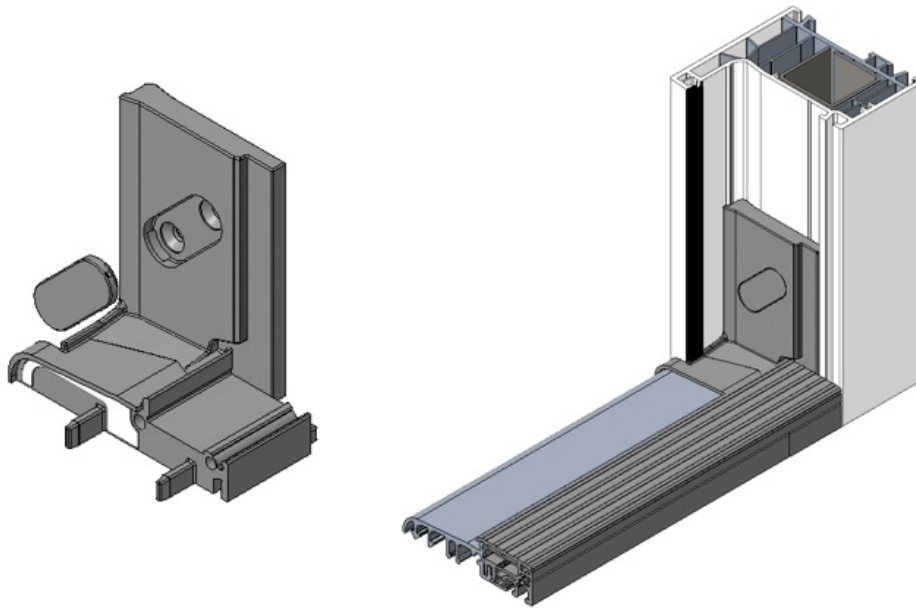


Product Information

Product Brand: Roto Eifel

Threshold holder folded Aluplast Energeto neo 76 AD/MD



Related Products

Roto Eifel
New product

Application range

- Matched with Eifel TB ground sills with a construction depth of 75mm.
- Matched with tilt bearing Eifel TB
- Matches with corner bearing Designo II
- Matches with carpet pad Designo II for sleeper Eifel TB (771917 / 771918)

Technical Details

- Anti-twist devices and additional screwing options ensure a stable connection between the sleeper holder and the ground sleeper
- A seal to the sleeper is located on the connection side of the sleeper holder
- With cover caps to conceal the screw holes
- Can be used for all frame and mullion profiles with the same rebate geometry, since connection is in the rebate area
- Sleeper bracket made of thermoplastic PC/ASA
- Supplied without fastening screws → Screw connection suggestion for sleeper bracket to sleeper: countersunk screw Ø 3.5 x 50 see PI 20 1444.
- An additional centering hook that connects the sleeper holder to the frame profile in a torsion-resistant manner even outside the screw-on area.

Availability / Ordering ability

- Available. 14 days after order

Product Overview

| Material No. | EAN no. | Description | PU | Price/Pcs. | Material Si ze | D-MG | Spout Material |
|--------------|---------------|---------------------------------------|----|------------|----------------|------|----------------|
| 2027928 | 4018609250111 | SH 75TB FA AL ENERGETO MD RAL 7004 5P | | | 1507 | | |

More Pictures:

