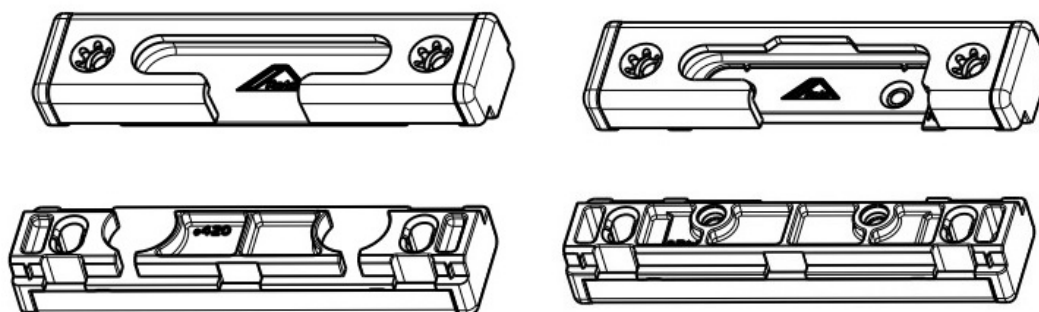


Product Information

Product Brand: Roto NX

Security striker and steel tilt striker screwable for aluminium windows with V.01 groove and hardware axis 10mm



Related Products

Roto NX
New product

Application range

For aluminium windows with V.01 groove and hardware axis 10mm.

Technical Details

The articles were additionally created for aluminium profiles with groove V.01 and hardware axis 10mm. The steel frame parts are screwed vertically. The security striker 2031828 and 2031829 can be combined with the tilt first adapter steel 456941.

Availability / Ordering ability

Now available for order.
Available approx. 2 weeks after initial order.

Product Overview

Material No.	EAN no.	Description	PU	Price/Pcs.	Material Size	D-MG	Spout Material
2031828	4036263543820	NX SH SST P ST NR420 BA10 R	100		20		
2031829	4036263543837	NX SH SST P ST NR420 BA10 L	100		20		
2031830	4036263543844	NX KIL P ST NR420 BA10	100		20		