

Product Information

Product Brand: Roto Solid

Roto Solid S - 108 HTB Changing pin module

Related Products

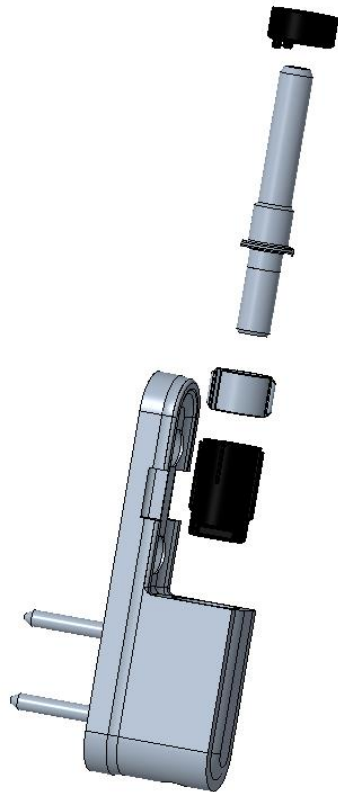
Roto Solid
Modification

Technical Details

- The pin module 108 HTB was changed. This resulted in an adjustment of the frame hinge.
- The new pin module and the new frame hinge are gradually being integrated into the existing articles. No changeover is necessary for the dealer or fabricator.
- The change has no effect on the assembly of the hinges and their adjustment possibilities.
- Articles that have already been converted can be recognised by the addition "NEW" in the article text in SAP and on the packaging.
- Old and new pin modules cannot be combined with new or old frame hinges.

Roto Solid S | 108 HTB

Alt / old



Neu / new

