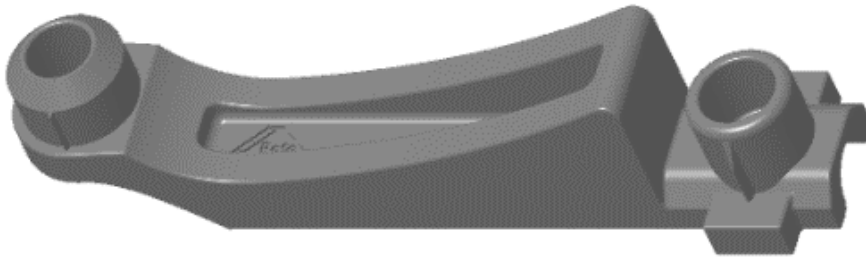


Produktinformation

## Roto Patio Lift support block roller unit Slim



### Übersicht

#### System

Sliding

#### Produkt

Roto Patio Lift

Hardware for versatile use in  
Lift&Slide systems

#### Verfügbarkeit/Bestellbarkeit

orderable and available on  
stock in Leinfelden

#### Dokumentation

The article will be included in  
the next version of the  
installation instructions.  
IMO\_245: Roto Patio Lift  
installation instruction for  
aluminum profiles  
IMO\_324: Roto Patio Lift  
installation instruction for PVC  
profiles

### Beschreibung

#### Support block roller unit for Slim | 150kg | 200 / 400 kg

The accessory support block for the Patio Lift roller unit Slim prevents a sash in opening position from closing. When the handle is in the locking position, the sash lowers and parks on the support blocks. In the closed position, the sash sits approx. 1,3mm higher, so the rollers are contact-free.

#### 2021622 PLT SLIM BOGIE SUPPORT BLOCK

- colour of the part: RAL 9005 black
- mount 1 support block per roller unit, ensuring a from-fitting and correct alignment.
- The dimensions of the support block are shown in the data drawing 2022062\_D.

**attention:** Use support block only if it is guaranteed that the seals will work through the increase with the support block.

### **Screws support block**

For the support block, suitable longer fastening screw, which also fastens the roller unit, must be selected depending on the profile. The support block offsets the screw by 8mm in the direction of engagement.

**PVC profile:** The correct screw length for the support block is shown in the profile check.

#### Screw type

countersunk screw according to ISO 7050 - ST 4.8 x suitable length with cross recess

Alternative: DIN 7982 ST4,8 x suitable length with cross recess

The screws for the support block are not included in the scope of delivery and must be purchased on site.

**PVC profile:** Screw Sets mentioned in installation instruction IMO\_324 are not intended for usage with the support block Slim and have the length for installation without the support block.

### **Installation**

The installation of the support block can be found in attached PDF „PI 22 2116 installation“.

### **Artikelübersicht**

<b>Article Code</b>	<b>EAN No.</b>	<b>Unit</b>	<b>Material Group</b>
<b>2021622</b> PLT SLIM LW ABSTUETZBLOCK	4036263527967	2E	

### **Roto Frank Fenster- und Türtechnologie GmbH**

Wilhelm-Frank-Platz 1  
70771 Leinfelden-Echterdingen  
Deutschland

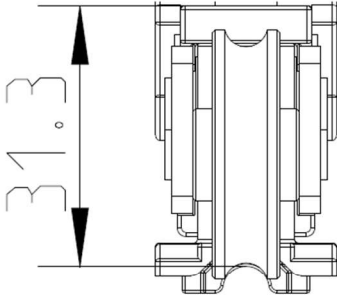


## Roller unit support block

Slim | 200 / 400 kg

In the closed position, the sash is approx. 1.3mm higher. This means that the rollers are contactless.

Installation space for support block SLIM



1. mount 1 support block [1] per roller unit, ensuring a form-fitting connection and correct alignment.
2. Use a longer screw [2] for the support block [1]. Countersunk screw ISO 7050 - ST 4.8 x suitable length with cross recess. (alternatively: DIN 7982 ST4,8 x suitable length with cross recess). Screws are not included in the scope of delivery.

Info: Support block offsets the screw by 8mm in the direction of engagement.

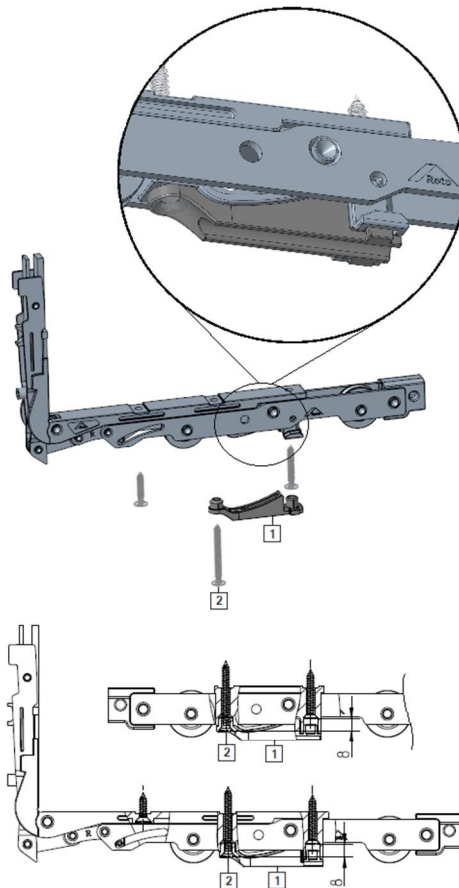


### **DANGER** Incorrect installation of support blocks poses a risk of death.

Incorrect installation of the support block may cause the sash to fall out (mainly when the sash slid open with the handle in the closed position).

1. mount support block [1] form-fitting and in correct alignment
2. Choose a suitable screw [2]

**Attention:** Use support block only if it is guaranteed that the seals will work through the increase with the support block.



### Installation | Sash | roller unit set / roller unit additional set

Notice different installation with support block [1]

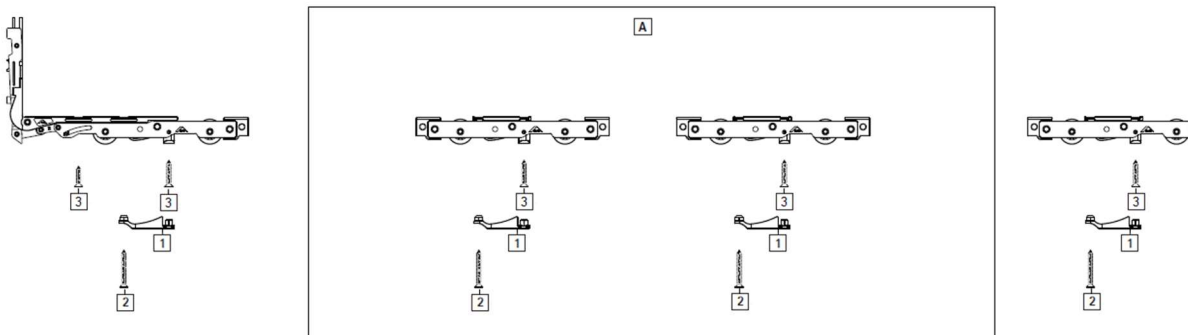
1. Installation of roller unit sets

for PVC profiles according to  
 IMO\_324: chapter 10.5.1 roller unit set / 10.5.2 roller unit additional set

for aluminum profiles according to  
 IMO\_245: chapter 9.5.1 roller unit set / 9.5.2 roller unit additional set

Leave out the screw [2].

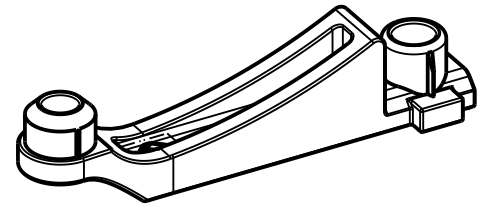
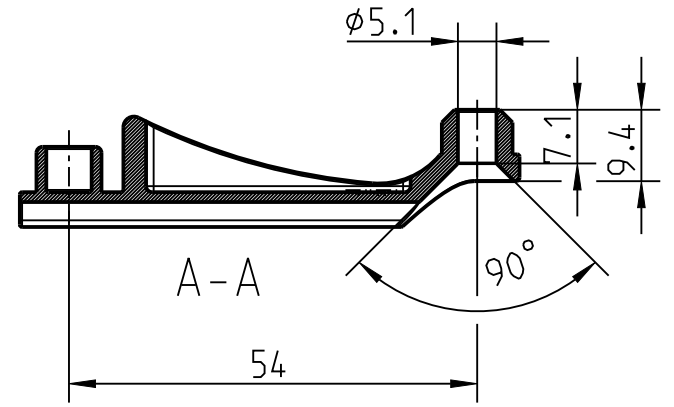
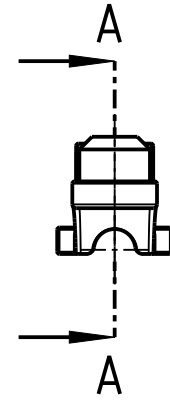
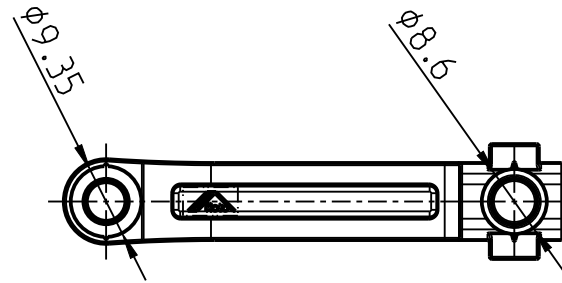
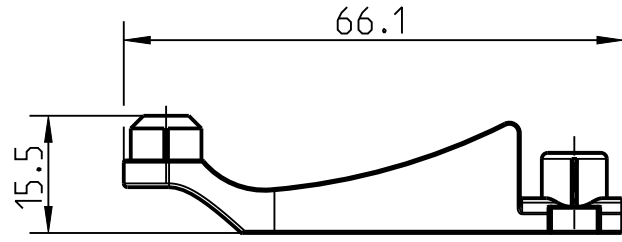
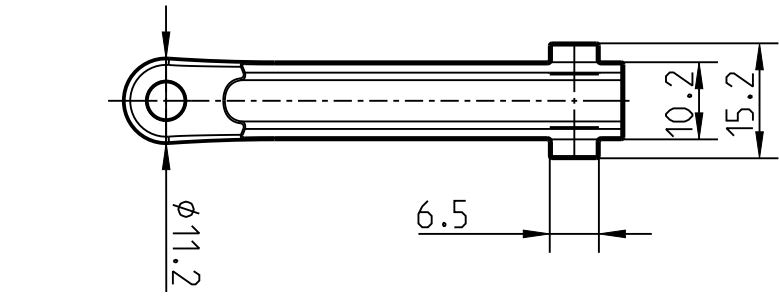
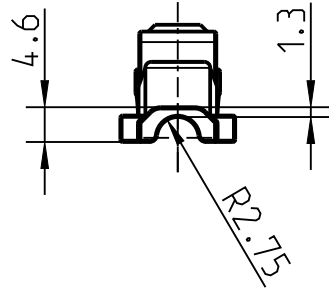
2. Install support block [1].
3. Fasten the support block [1] and roller unit in the sash with a screw [2].



18.10.2022

Released

© ISO 16016: WEITERGABE SOWIE VERVIELFÄLTIGUNG DIESER UNTERLAGEN, VERWERTUNG UND MITTEILUNG IHRES INHALTS IST NICHT GESTÄTTET, SOWEIT NICHT AUSDRÜCKLICH ZUGESTANDEN. ZUM IHRERHANDLUNGEN VERPFLICHTEN ZU SCHADENERSATZ. ALLE RECHTE FÜR DEN FALL DER PATENTIERUNG ODER GEBRAUCHSMUSTER-EINTRAGUNG VORBEHALTEN. THE REPRODUCTION, DISTRIBUTION AND UTILIZATION OF THIS DOCUMENT AS WELL AS THE COMMUNICATION OF ITS CONTENTS TO OTHERS WITHOUT EXPLICIT AUTHORIZATION IS PROHIBITED. OFFENDERS WILL BE HELD LIABLE FOR THE PAYMENT OF DAMAGES. ALL RIGHTS RESERVED IN THE EVENT OF THE GRANT OF A PATENT, UTILITY MODEL OR DESIGN.



Gepueft/Check	Date:	17.10.2022	Name:	Erb_R
Maßstab Scale 1:1	PLT SLIM LW ABSTUEZBLOCK Patio Lift (PLT SLIM BOGIE SUPPORT BLOCK)			
<b>Roto Frank FTT</b> 	<b>2022062_D</b>		Blatt/Sheet 1/1	Model Name 2022062 Index 01