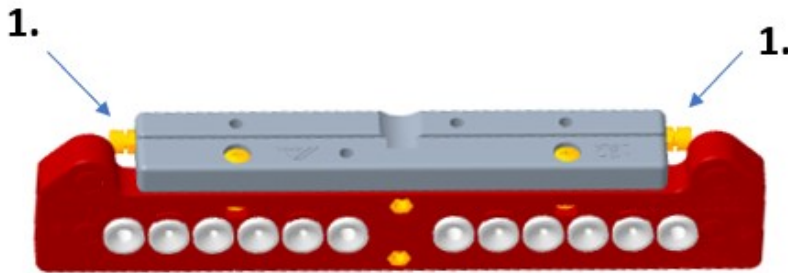


Product Information

## Adjustable drill jig for pivot rest P6 threshold



### Overview

**System**  
Window

**Product**  
Roto NX

The Tilt&Turn hardware system for windows and balcony doors shaping the industry once again

**Availability / Ordering ability**  
bestellbar

### Description

Adjustable drilling jig, for the positioning of pivot rests on hinge side P, on window elements with threshold.  
The jig can be used for right and left side.

#### Description:

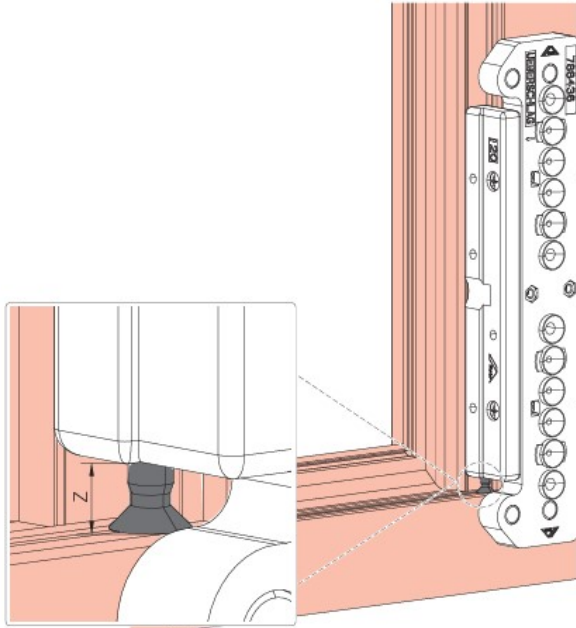
1. Screw with hexagon socket SW 4 and lock nut SW 8 for adjusting the functional clearance

#### Scope

- For pivot rest P6/130 and P6/150
- in the delivery condition for elements with sash overlap dimension 20mm
- can be converted to sash overlap dimension 22mm
- the functional clearance must be adjusted indirectly via the dimension Z (see table)

### Article Overview

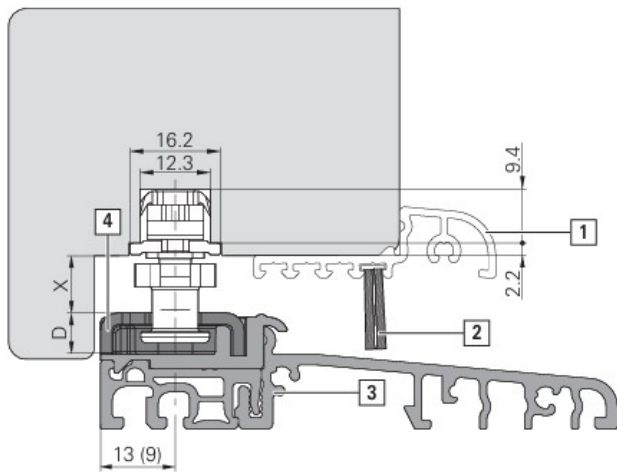
| Article Code                                    | EAN No.       | Unit | Material Group |
|---|---------------|------|----------------|
| 2033355 NX ZB LHR EC LAG P 6 BS ANS VSTB _R10.6 | 4036263545947 | 02   |                |



Extend the drilling jig stop for the pivot rest by dimension Z using the adjusting screw.  
Place the drilling jig in the threshold rebate base.

| Functional clearance | [Z] | Drilling jig |
|----------------------|-----|--------------|
| 4 - 5                | 9   | 2033355      |
| 7 - 8                | 12  |              |
| 10 - 11              | 15  |              |

## Threshold functional clearance



Example:

[D] Height of threshold cover  
 [X] Functional clearance between the threshold cover and leaf rebate (Euro-rebate system)

[1] Weather profile strip  
 [2] Drip seal / brush gasket  
 [3] Threshold, inward opening  
 [4] Tilt striker

The following combinations of components must be used due to the differing functional clearance between the threshold cover and leaf rebate:

| Threshold functional clearance [X] | Frame rebate clearance | Cam variant            |
|------------------------------------|------------------------|------------------------|
| 4 – 5                              | 12 – 13                | V cam                  |
| 7 – 8                              | 15 – 16                | V cam, extended, 7 mm  |
| 10 – 11                            | 18 – 17                | V cam, extended, 10 mm |

### Roto Frank Fenster- und Türtechnologie GmbH

Wilhelm-Frank-Platz 1  
 70771 Leinfelden-Echterdingen  
 Deutschland