

Roto Patio Lift marking jig for locking pins



Overview

System

Sliding

Product

Roto Patio Lift

Hardware for versatile use in
Lift&Slide systems

Availability / Ordering ability

as from now

Documentation

Drawing 2030727_d (latest
version)
IMO 324
IMO 245

Description

Patio Lift marking jig for positioning of locking pins

Application range:

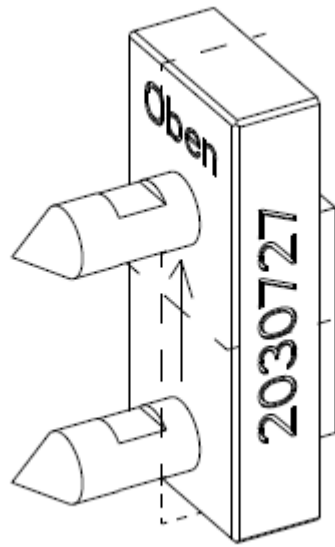
All Patio Lift hardware combination with locking pins and locking pins for
night ventilation used in aluminium- and pvc profiles.

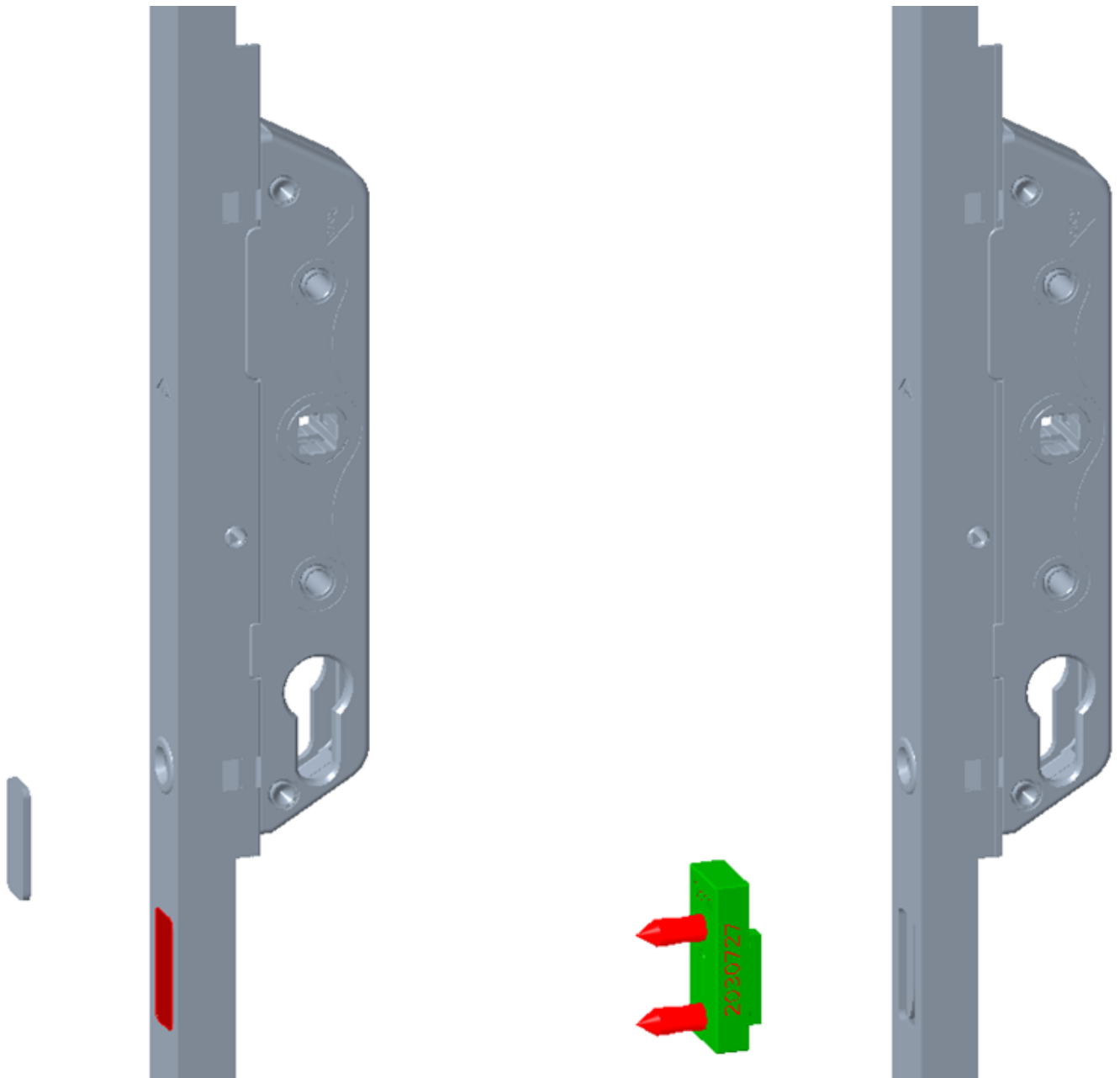
Instructions for using Patio Lift marking jig:

1. Break caps from gearbox. This step is also described in the IMO 324.
2. Insert the marking jig into the recess of the gearbox and press down.
3. Slide the sash in closed positions, so that pins of the marking jig
leave two marks on the frame profile. The marks serve as centering
for the following drill holes.
4. Drill the holes at the marked positions.
5. Drill hole Diameter for pvc profiles with steel reinforcement: 3,9 mm.
6. Drill hole Diameter for aluminium profiles: 3,7 mm
7. Assemble locking pins with screws ST4,8x....

Article Overview

Article Code	EAN No.	Unit	Material Group
2030727 PLT KÖRNERLEHRE SCHLIESSBOLZEN	4036263540591	1	2E





Roto Frank Fenster- und Türtechnologie GmbH
Wilhelm-Frank-Platz 1
70771 Leinfelden-Echterdingen
Deutschland