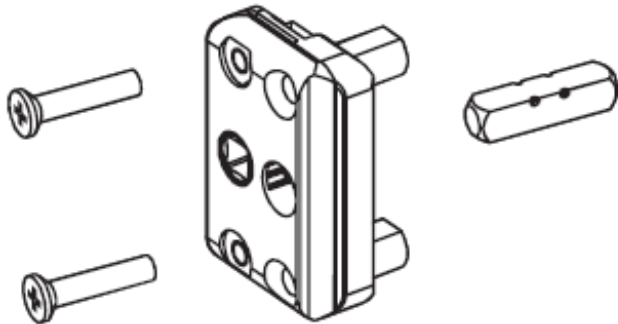


Product Information

## Overview of backset espagnolettes sets

Adapter backset espagnolettes for wooden and plastic profiles (SLG)



### Overview

**System**  
Window

**Product**  
Roto NX

The Tilt&Turn hardware system for windows and balcony doors shaping the industry once again

### Availability / Ordering ability

### Description

This product information provides an overview of the adapter backset (offset) espagnolettes sets and the loose spacer plates for backset espagnolettes available at the time of publication.

The article short texts and the label texts have been standardised. Data drawings are now available in the archive for all sets.

The labelling contains the intended profile geometry or profile number, the backset of the associated espagnolette, the geometry of the enclosed square spindle and the screws, the thickness of the spacer plate or the length of the screw sockets and any additional parts such as covers.

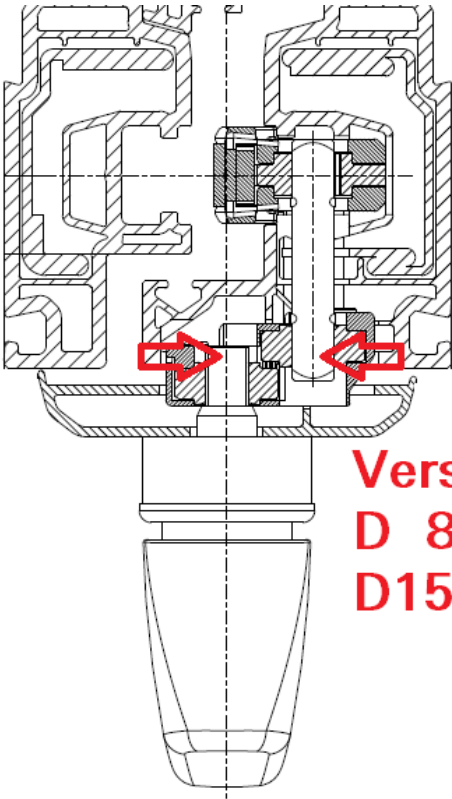
Example: NX SLG 12/20-13 D15 30/14 5X30 P10.5 ADK

NX	SLG	12/20-13	D15	30/14	5X30	P10,5	ADK
							ADK = Cover Cap
						P – distance packer in mm	
						S – screw socket in mm	
					screw diameter X length		
			square spindle length / distance				
			D8 = offset 14 mm				
			D15 = offset 21 mm				
	DPL = distance packer (separately)						
	rebate geometry, profile type						

### Article Overview

Article Code	EAN No.	Unit	Material Group
262346 NT SLG NR202 D8 30/9,5 5X35 S9	4036263028204	1	20
262348 NT SLG NR241 D8 48/29 5X50 S24,7	4036263028228	1	20
295167 NT SLG NR001 D8 20/3,5 5X25	4036263048226	1	20
317307 NT SLG 12/18-9 D15 27/6 5X25	4036263071941	1	20

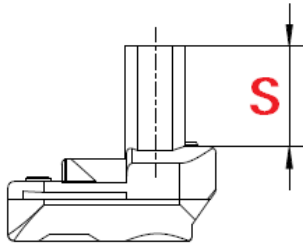
<b>Article Code</b>	<b>EAN No.</b>	<b>Unit</b>	<b>Material Group</b>
<b>317309</b> NT SLG 12/18-9 D15 30/8 5X25	4036263071958	1	20
<b>317310</b> NT SLG DPL 2MM RAL7004	4036263071965	1	20
<b>317311</b> NT SLG DPL 4MM RAL7004	4036263071972	1	20
<b>317312</b> NT SLG DPL 5MM RAL7004	4036263071989	1	20
<b>317324</b> NT SLG DPL 7MM RAL7004	4036263072009	1	20
<b>325085</b> NT SLG 12/18-9 D15 20/3,5 5X20	4036263077455	1	20
<b>333688</b> NT SLG 12/20-13 D15 33/8 5X30 P12 ADK	4036263081315	1	20
<b>337797</b> NT SLG 12/18-9 D8 20/3,5 5X30 S3,5	4036263084712	1	20
<b>365354</b> NT SLG 4/15-9 D15 27/6 5X25	4036263098504	1	20
<b>381899</b> NT SLG 4/15-9 D15 20/3,5 5X20	4036263103833	1	20
<b>495997</b> NT SLG 12/20-13 D15 27/6 5X25 P4+2 ADK	4036263147738	1	20
<b>607774</b> NT SLG 12/18-13 D15 33/8 5X30 P12	4036263198815	1	20
<b>770902</b> NT SLG 12/18-13 D15 30/14 5X30 P10,5	4036263280145	1	20
<b>818636</b> NT SLG 12/20-13 D15 30/14 5X30 P10,5	4036263413642	1	20
<b>818694</b> NT SLG 12/18-13 D15 27/6 5X20 P5	4036263413680	1	20
<b>820142</b> NT SLG 12/20-13 D15 30/14 5X30 P10,5 ADK	4036263415493	1	20
<b>892066</b> NX SLG FR NR307 D8	4036263484918	1	20
<b>2021011</b> NT SLG 12/18-13 D15 25/3,5 5X25 P5	4036263526328	1	20
<b>2024902</b> NT SLG 12/20-13 D8 33/8 5X30 P12 ADK	4036263531070	1	20
<b>2039956</b> NX SLG NR246 D8 40/21 5X40 S16,7	4036263558404	1	20



**Versatz / Offset**

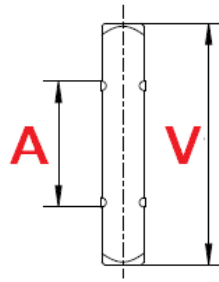
**D 8 = 14 mm**

**D15 = 21 mm**



Schraubdom in mm

Screw socket in mm

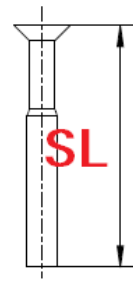


V = Vierkantlänge mm

A = Abstand mm

V = square spindle

A = distance

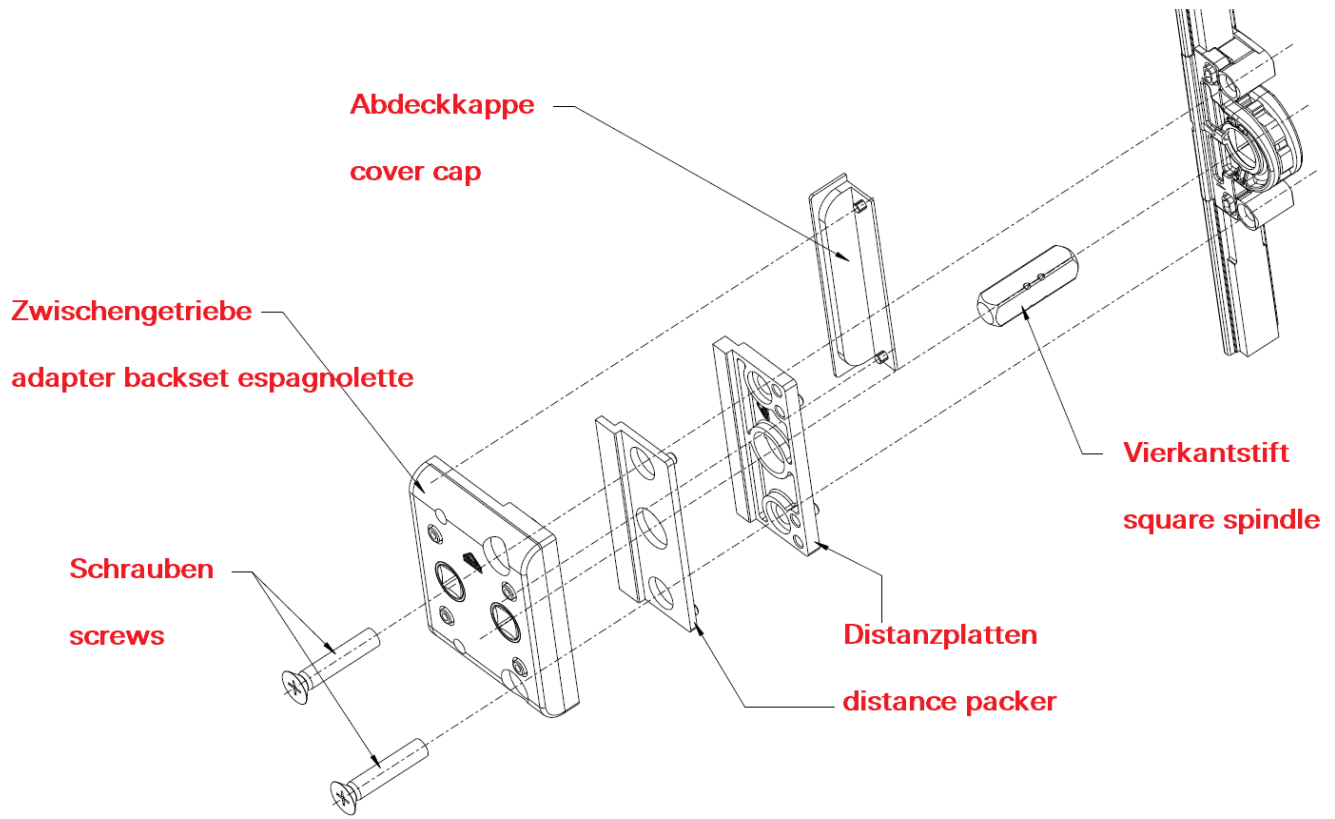


SL =

Schraublänge

SL =

Screw length



**Roto Frank Fenster- und Türtechnologie GmbH**  
Wilhelm-Frank-Platz 1  
70771 Leinfelden-Echterdingen  
Deutschland