

Product Information

Patio Lift spacer block

Profine Premi Door 76 and Premi Door 78



Overview

System

Sliding

Product

Roto Patio Lift

Hardware for versatile use in
Lift&Slide systems

Availability / Ordering ability

ab sofort

Documentation

Drawing 2030813 (latest
version)
IMO 324

Description

Patio Lift spacer block to support corner roller unit

Application range:

Profine Premi Door 76

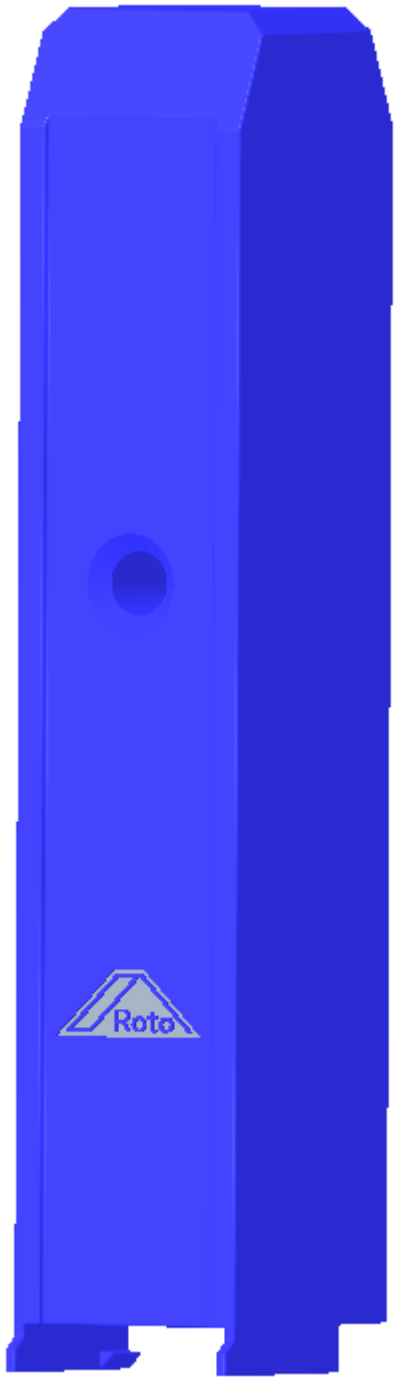
Profine Premi Door 88

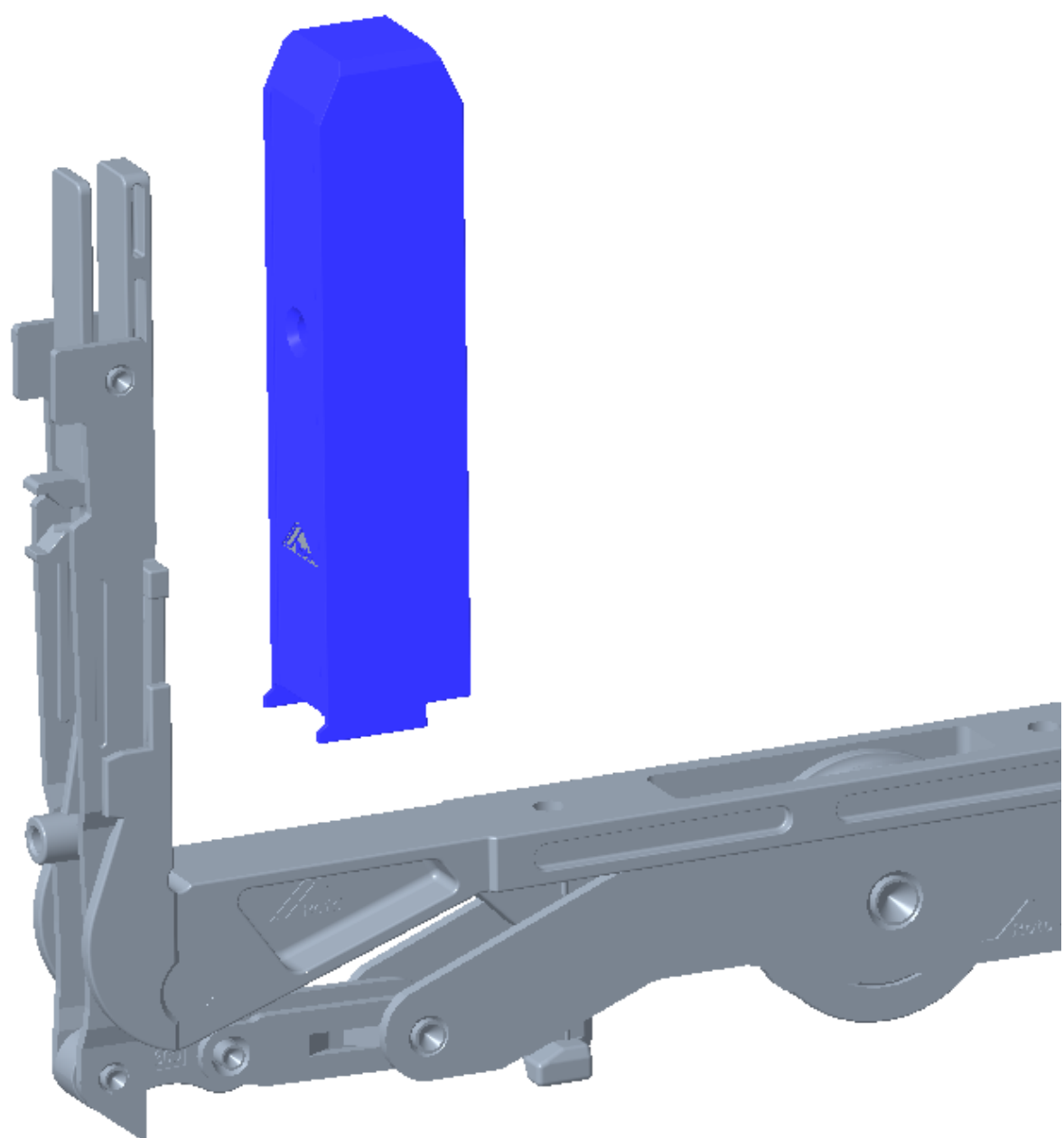
Instructions for using Patio Lift spacer block:

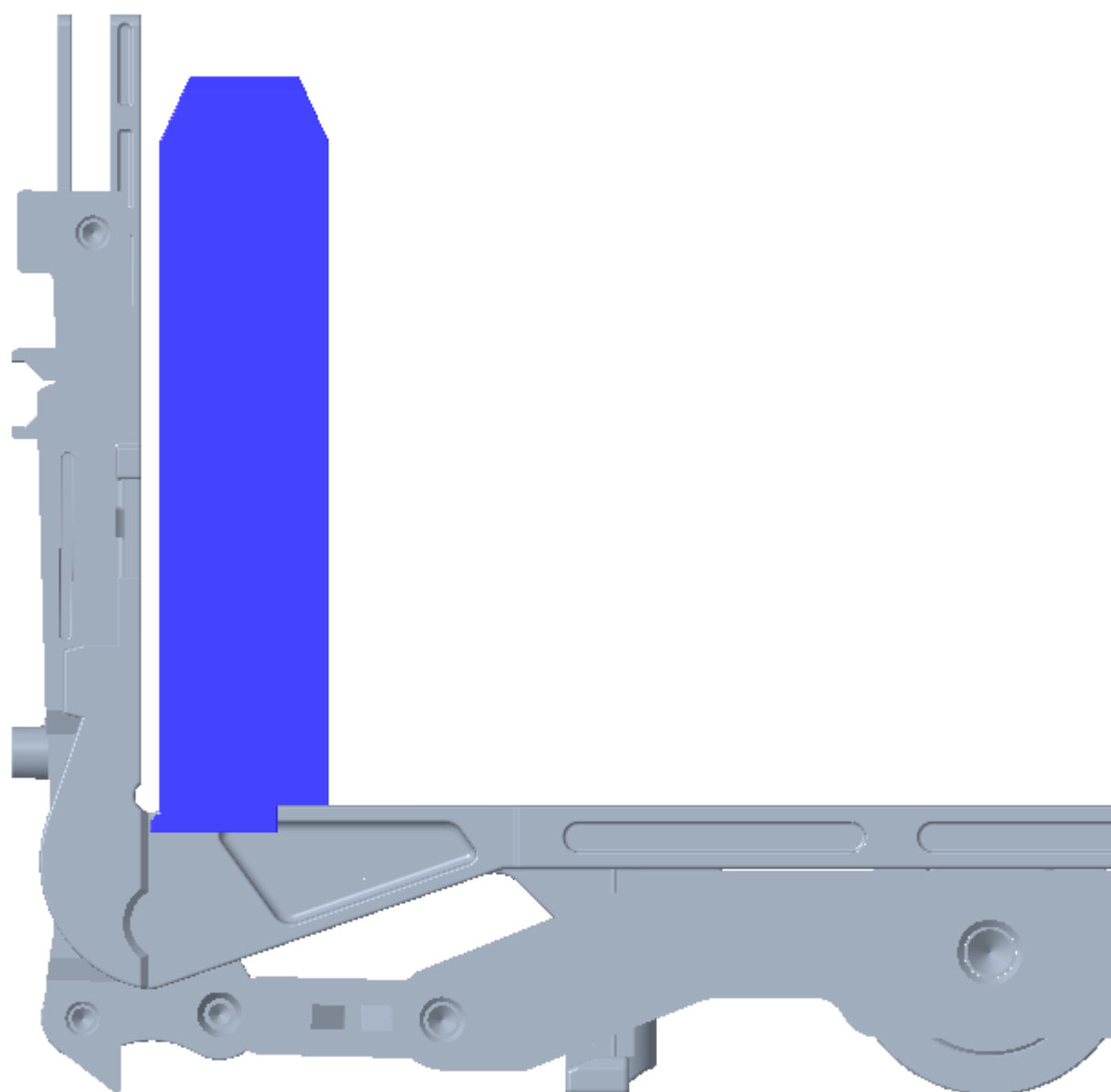
1. Clip the spacer block on corner roller unit.
2. Insert corner roller unit with spacer block into the profile. Edit the profile beforehand according to the system manufacturer's specifications.
3. Fasten the Corner roller unit with spacer block in the profile, making sure that the roller unit is on the reinforcement.

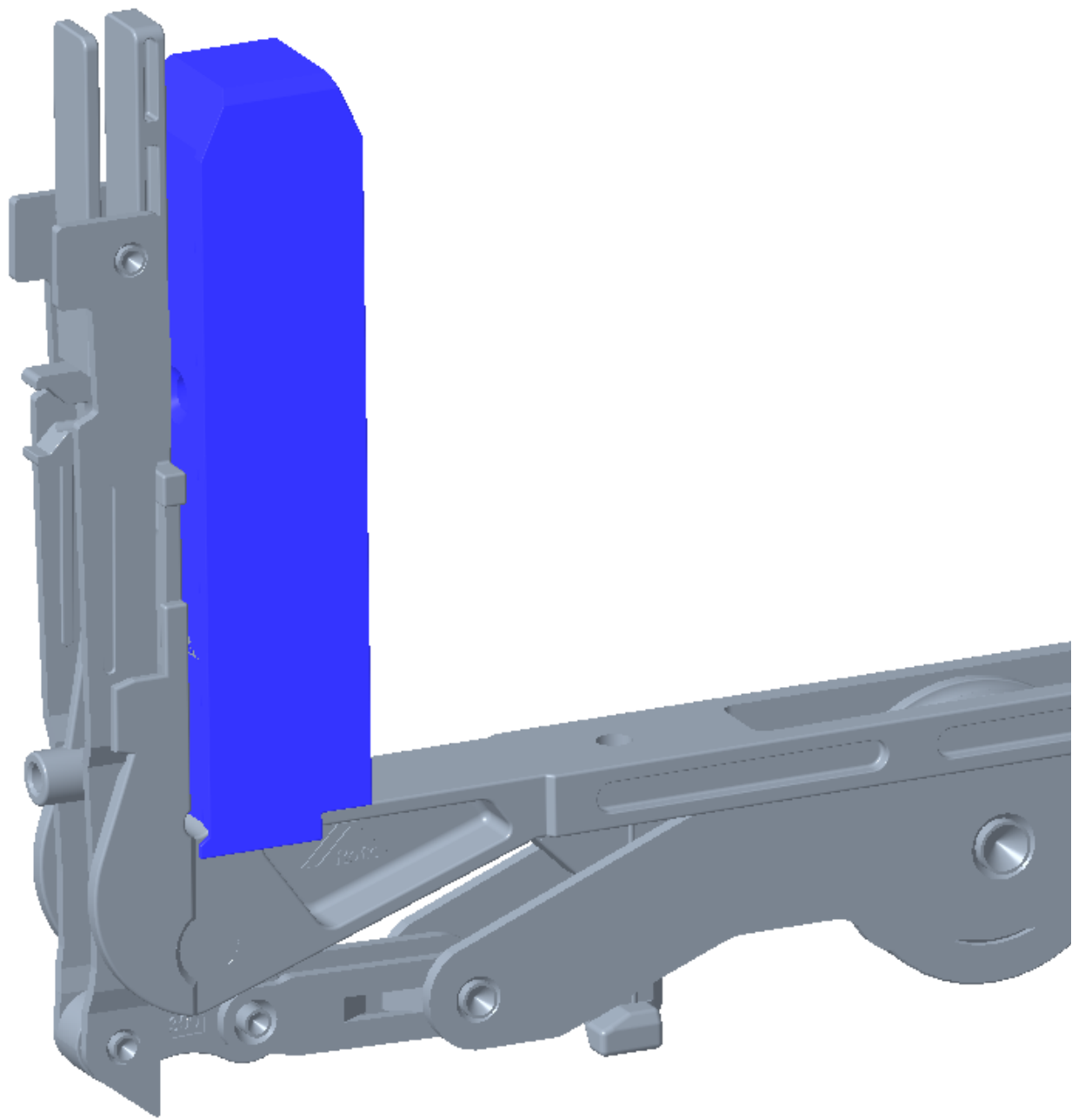
Article Overview

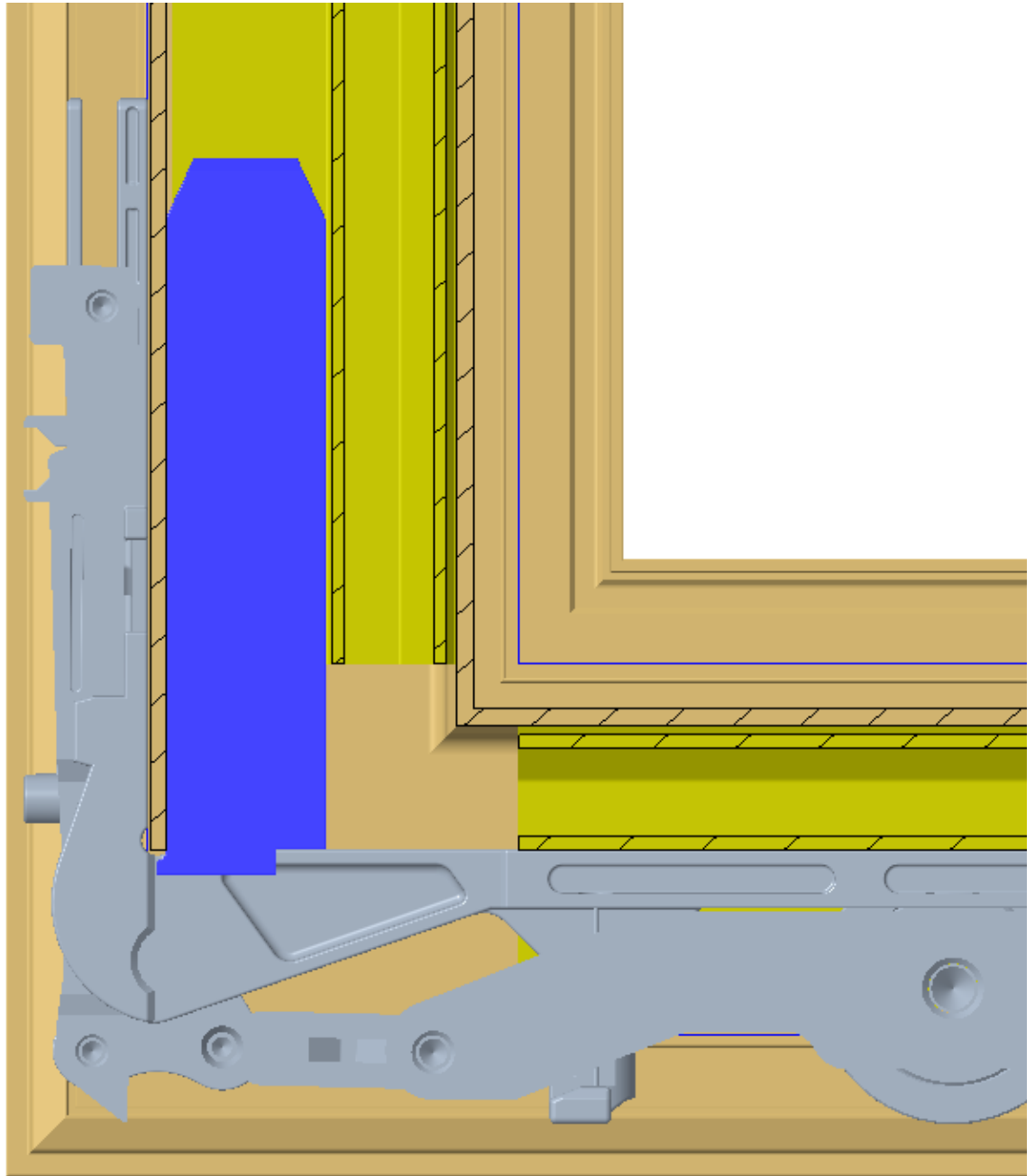
Article Code	EAN No.	Unit	Material Group
2030928 PLT DISTANZKLOTZ LW STD B21,5xH26,0	4036263541628	1	2E











Roto Frank Fenster- und Türtechnologie GmbH

Wilhelm-Frank-Platz 1
70771 Leinfelden-Echterdingen
Deutschland