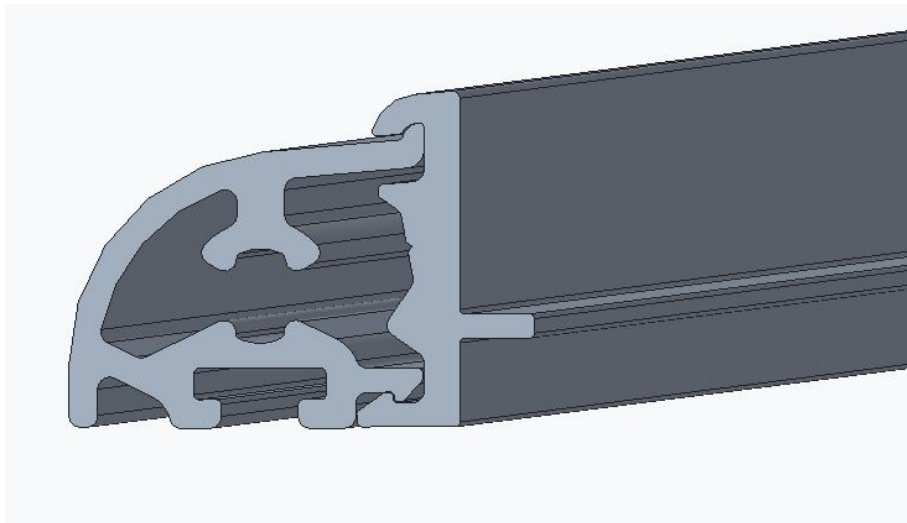


Product Information

## Weatherstrip Design AD 4.7 mm offset



### Overview

#### System

Door

#### Product

Roto Eifel

Tailor-made range of thresholds for tightly sealed accessible doors and balcony doors

#### Availability / Ordering ability

Available to order

#### Documentation

next Update CTL\_87

### Description

Weatherstrip with a 4.7 mm offset of the mounting profile for use with certain floating-mullion profiles.

Depending on the profile situation, a collision with the weatherstrip may occur when using floating-mullion profiles and the corresponding end caps. The weatherstrip with 4.7 mm offset serves to avoid this collision.

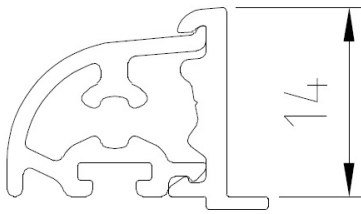
Product features:

- Weatherstrip made of high-quality, anodised aluminium
- Consisting of holder (4.7 mm offset) & clip profile
- Brush and drop seal position shifted to the outside
- existing end caps for the weather strip Design and the existing seals from the Eifel range can still be used

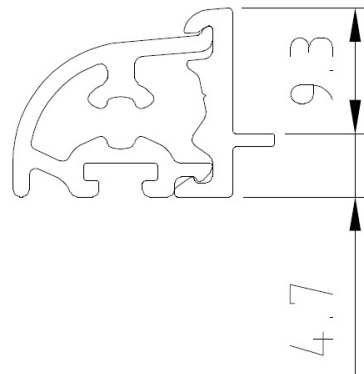
The selection of a suitable weatherstrip variant must be ensured by checking the profile and a sample assembly.

### Article Overview

Article Code	EAN No.	Unit	Material Group
2040390 WTS DS AD E6C0 4,7mm Versatz VE60M	4018609256366	60	57



WTS DSII Design AD



WTS DS AD E6C0 4,7mm Versatz