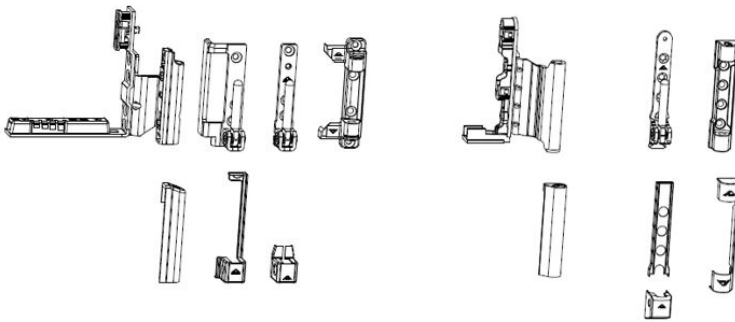


Product Information

Roto NX | Hing side A16 (Aluminium profiles) for timber and PVC profiles as replacement for the Roto NT | Hinge side A



Overview

System

Window

Product

Roto NX

The Tilt&Turn hardware system for windows and balcony doors shaping the industry once again

Availability / Ordering ability

Available from now.

Documentation

Catalogue timber CTL_104

Catalogue PVC CTL_105

Catalogue Aneto CTL_107

SUG_59_DE_v0

Description

The new Roto NX | Hinge side A16 for aluminium element is approved for use in timber and PVC elements.

Application range:

- Tilt&Turn, Tilt, double-sashed windows, TiltFirst, Turn
- rectangular-, arch- and pitched windows
- sash weight until 130 kg
- sash rebate width 290 until 1.600 mm
- sash rebate height 280 until 2.800 mm
- durability class H3
- security until RC2
- corrosion class 5

Hinge side comparison:

Roto NT Hinge side A	Roto NX Hinge side A16
Timber and PVC profiles inaccurate positioning of the bearings Durability class H2 Sash weight of timber profiles up to 130 kg Sash weight of PVC profiles up to 100 kg Sash rebate height up to 2,600 mm	Aluminium, timber and PVC profiles exact positioning of the bearings using drilling jigs Durability class H3 Sash weight of timber profiles up to 130 kg Sash weight of PVC profiles up to 130 kg Sash rebate height up to 2,800 mm Balcony doors with thresholds

Special features:

- sash weight until 80 kg are possible without rebate corner hinge extension
- sash weight until 130 kg with rebate corner hinge extension

Special features of processing:

On hinge side A the corner hinge and stay bearing were often used as screw templates.

The speed advantage had the following disadvantages:

- the hardware screws had to be held with the fingers when screwing in
- the hardware screws were pulled diagonally into the screw countersung holes of the bearings
- the bearings were not positioned exactly
- there was a risk that timber profiles would crack

If corner hinges and stay bearings are used as drilling templates, there is no speed advantage compared to processing with drilling jigs.

Therefore corner hinges, stay bearings and rebate corner hinges of the Roto NX | hinge side A16 are pre-drilled and positioned using drilling jigs.

Special features of timber elements:

Use Pivot rest P 6/150 und stay bearing P 6/130 or P 6/150.

Pre-drilling of corner hinges, stay bearing and rebate corner hinges in mandatory.

For the hinge passage of the rebate corner hinge and the stay arm the sash overlap must be milled on timber profiles (this is not necessary for seals overlap that cover the entire sash overlap).

Discontinuation parts:
See PAP-Nr. 2024/1537

Article Overview

Article Code	EAN No.	Unit	Material Group
---------------------	----------------	-------------	-----------------------

Roto Frank Fenster- und Türtechnologie GmbH

Wilhelm-Frank-Platz 1
70771 Leinfelden-Echterdingen
Deutschland