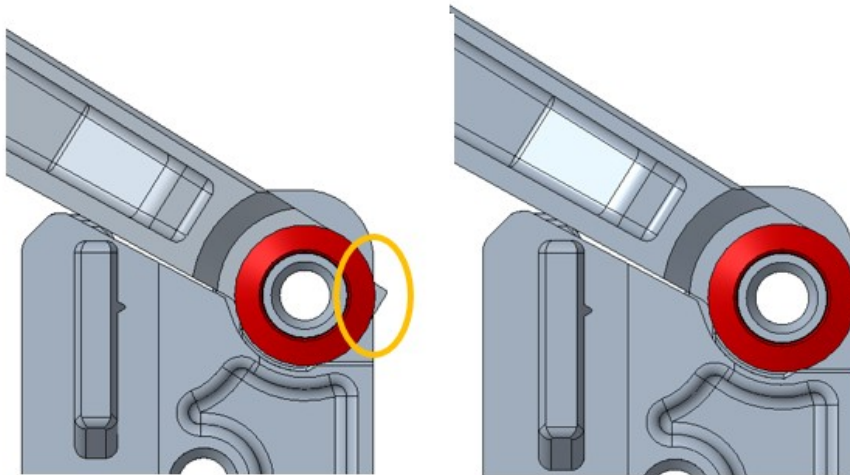


Product Information

Optimization Tilt Safe frame part for Rehau Artevo



Overview

System
Window

Product
Roto NX

The Tilt&Turn hardware system for windows and balcony doors shaping the industry once again

Availability / Ordering ability

Available from end of January 2025.

Description

This end stop (see marking in the picture above) was removed so that it no longer protrudes from the striker contour in the tilting function. This prevents a collision between the end stop and the Rehau Artevo profile.

The Tilt safe frame parts listed in the article list have been newly created due to this modification.

The reference articles have been removed from the program. PAP info will be provided separately.

2029476 NX ZB TILTSAFE RT P421 R_SIL
2029477 NX ZB TILTSAFE RT P421 L_SIL

Article Overview

Article Code	EAN No.	Unit	Material Group
2044892 NX ZB TILTSAFE RT NR421 RC2 R_SIL	4036263568939	30	20
2044893 NX ZB TILTSAFE RT NR421 RC2 L_SIL	4036263568946	30	20

Roto Frank Fenster- und Türtechnologie GmbH

Wilhelm-Frank-Platz 1

70771 Leinfelden-Echterdingen
Deutschland