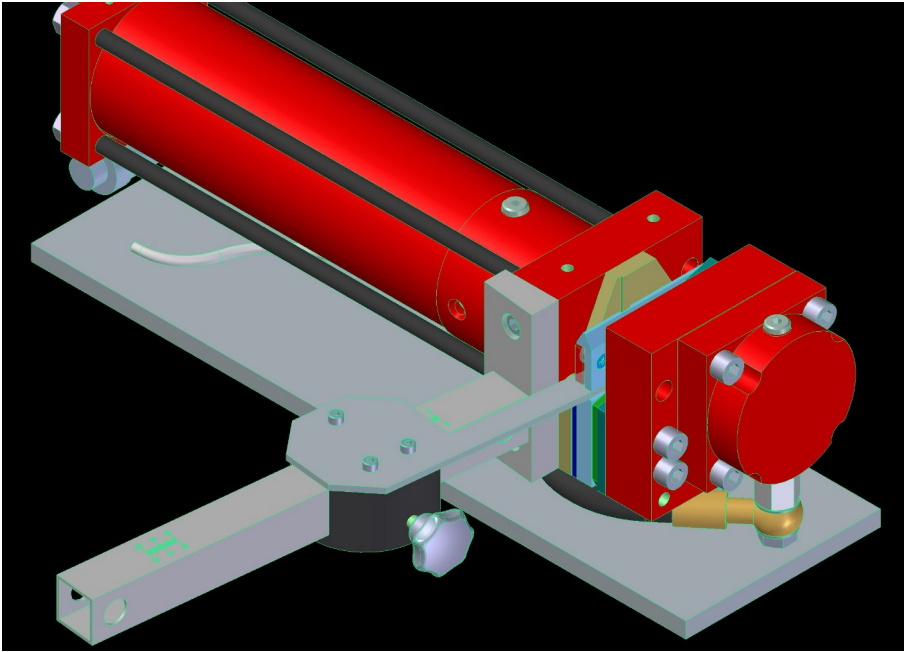


Product Information

## Short ruler with slider for waste measurement



### Overview

**System**  
Window

**Product**  
Roto NX

The universal hardware system for modern windows and balcony doors

**Availability / Ordering ability**

### Description

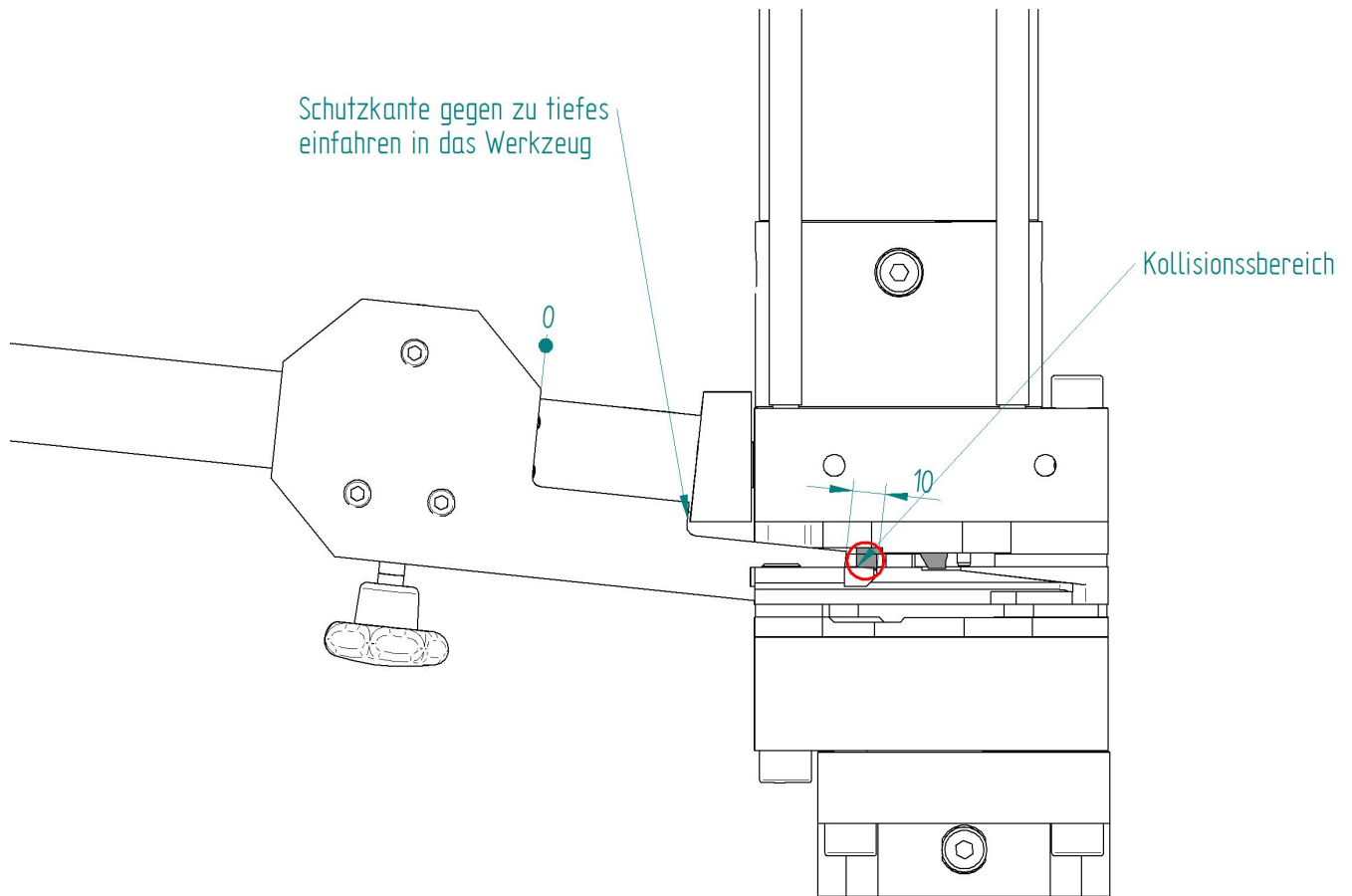
This short ruler is used for waste measurement and is mounted on the left of the Roto BSD left-hand punch. The waste length is to be set manually using the slider. A feed is used as a stop. As the punching stamp moves out, the feed stops 10 mm before the cutting edge. This means that a minimum dimension of 10 mm must be punched off (standard overlength dimension for long parts). The drawing is attached to this PI.

The waste length can be calculated by the software and provided digitally or in paper form at the workstation.

### Article Overview

Article Code	EAN No.	Unit	Material Group
--------------	---------	------	----------------

2048419	NX WEZ DUO Kurzlineal Abschn Reiplinger		
---------	---	--	--



**Roto Frank Fenster- und Türtechnologie GmbH**

Wilhelm-Frank-Platz 1  
70771 Leinfelden-Echterdingen  
Deutschland