

Product Information

Gear shoe for connecting rods in the cropping range

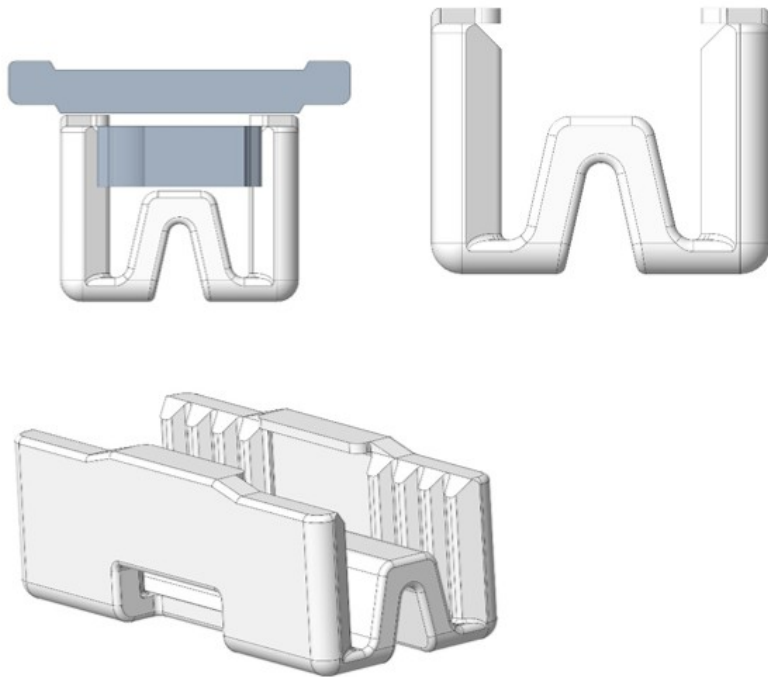
Overview

System
Window

Product
Roto NX

The universal hardware system for modern windows and balcony doors

Availability / Ordering ability
Available from July 2026.



Description

The gear shoe serves as a support element within the hardware system and ensures that the connecting rod retains its stability even under high handle torques.

It prevents the connecting rod from bending down to the base of the hardware groove and thus reduces the loss of travel.

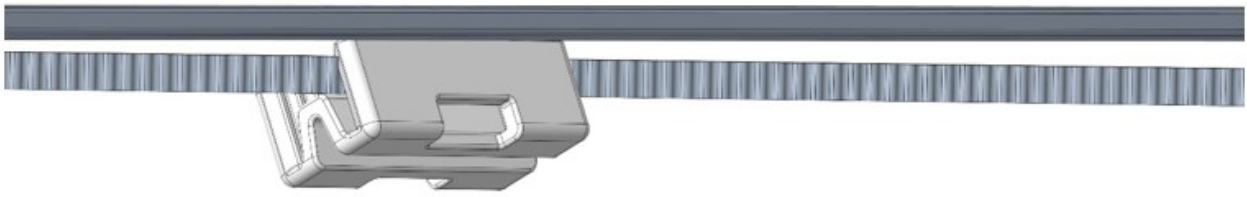
Application area:

The gear shoe is mounted manually in the cropping range of connecting rods and is particularly recommended where less than 100 mm has been cut off the connecting rod in espagnolette or stay guide.

The insert is in the middle of the cropping range of the connecting rod.

Article Overview

Article Code	EAN No.	unit	Material Group
2056090 NX ZB VZS GTR	4036263600790	100	



Roto Frank Fenster- und Türtechnologie GmbH

Wilhelm-Frank-Platz 1
70771 Leinfelden-Echterdingen
Deutschland